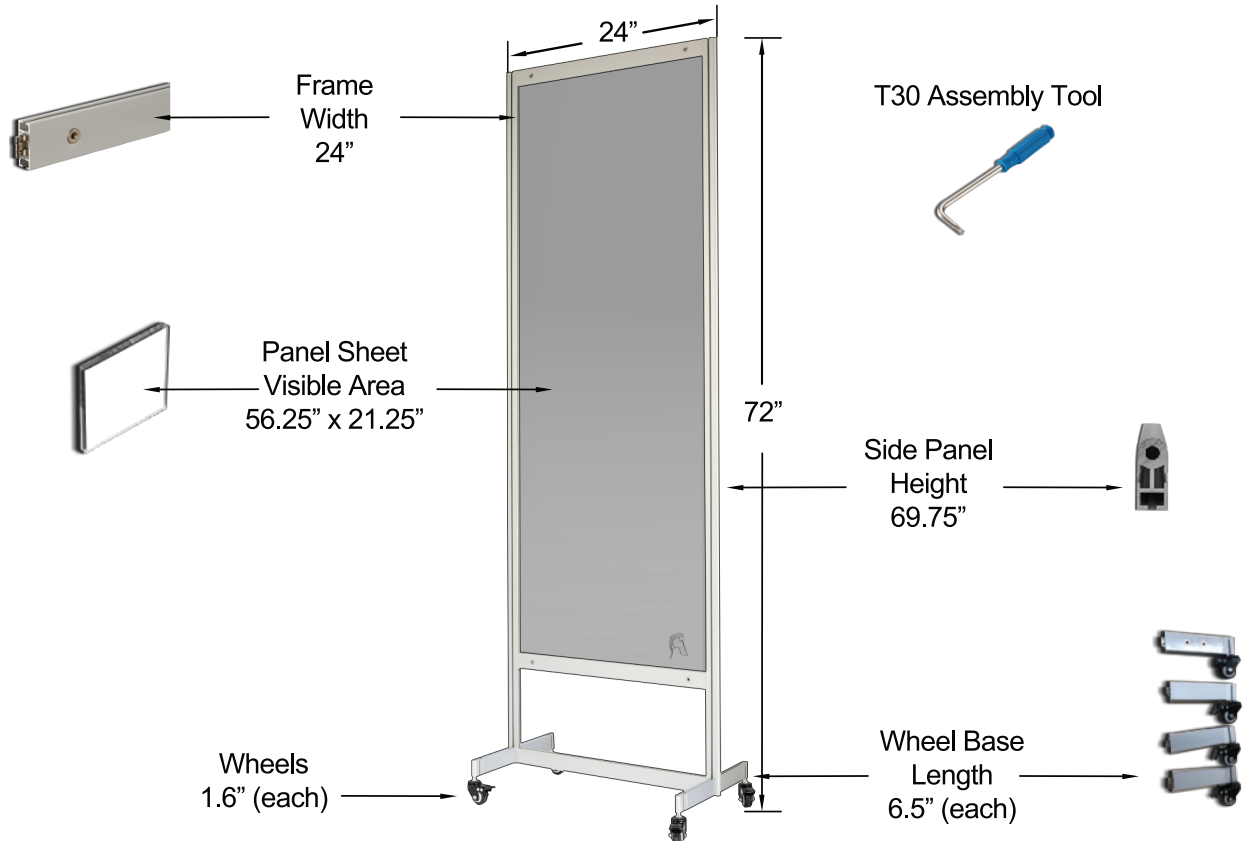


# JMC

## FOOD EQUIPMENT

# SPARTAN SHIELDS

## 24" X 72" X 3/16" ROLLER SHIELD



**Full Product Dimensions**  
24" x 72" x 3/16"

**Weight**  
21 lbs

**Frame**  
Anodized matt silver color  
1.6" x .6"  
Thickness: .055"  
2 sides come with connector  
3 pcs

**Clear Polystyrene Panel sheet**  
Visible Area 56.25" x 21.25"  
3/16" thickness  
1 pcs

**Side Panel**  
Anodized matt silver color  
1.4" x 69.75" x .6"  
Thickness: .078"  
2 pcs

**Type**  
Roller

**Wheel Base**  
1.6" PU Polyurethane  
wheels with aluminum supporting  
beam 1.6" x .5" x 5.12"  
4 pcs

**T30 Tool**  
1 pcs

**Item Package Quantity**  
11 pcs