



SBD-1 1/2 KEG BEER DISPENSER

UNITS MANUFACTURED PRIOR 10-1-18
 INCLUDE 1 YEAR PARTS + LABOR / 5 YEAR COMPRESSOR WARRANTY

UNITS MANUFACTURED AFTER 10-1-18
 INCLUDE 2 YEAR PARTS + LABOR / 5 YEAR COMPRESSOR WARRANTY

Dimensions

| | |
|------------------------------|----------------------------|
| Exterior Dimensions (WxDxH) | 23.5" x 30.5" x 38.75" |
| Interior Dimensions (WxDxH) | 20" x 19" x 29" |
| Net Volume (cu. ft.) | |
| Gross Weight | 180lbs |
| Packaging Dimensions (WxDxH) | 26" x 32.5" x 45" |
| Electrical Cord Length | |
| Capacity | 6.5 cu. ft. 1 x 1/2 Keg |

Cooling

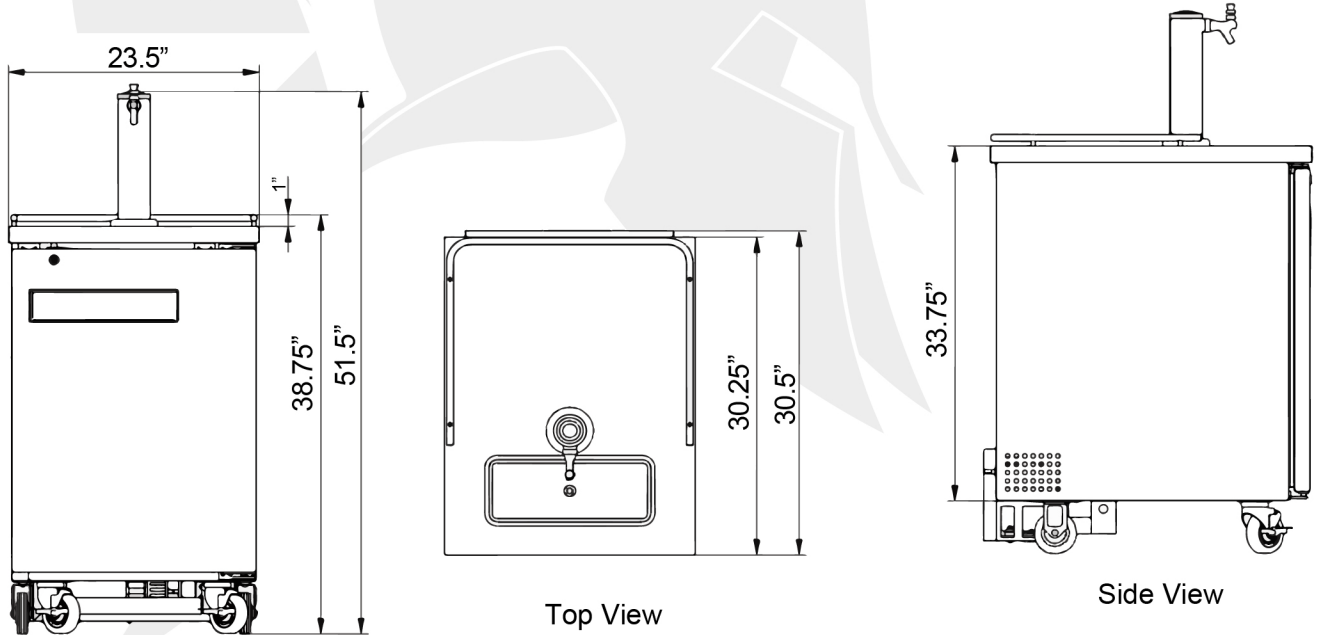
| | |
|------------------------|-------------|
| Temperature Range | 33° - 41° F |
| Refrigerant | R-290 |
| Maximum Ambient Temp | 90° F |
| Maximum Humidity | 65% |
| Defrosting | Automatic |
| Cooling System | |
| Temperature Display | |
| Temperature Controller | Electronic |
| H/P | 1/6 |

Construction

| | |
|---------------------|---|
| Exterior Material | Stainless Steel Top, Black Vinyl Finish |
| Insulation Material | |
| Shelf Material | |
| Shelf Load Capacity | |
| Shelves | 2 |
| Doors | 1 |

Electrical

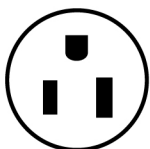
| | |
|---------|----------|
| Voltage | 115/60/1 |
| Amps | 1.92 |



Front View

Top View

Side View



NEMA 5-15P



Intertek

