

TECHNICAL DATA

Dimensions

Exterior Dimensions (WxDxH)	23.5" x 30.5" x 38.75"
Interior Dimensions (WxDxH)	20" x 19" x 29"
Net Volume (cu. ft.)	
Gross Weight	180lbs
Packaging Dimensions (WxDxH)	26" x 32.5" x 45"
Electrical Cord Length	
Capacity	6.5 cu. ft. 1 x 1/2 Keg

Cooling

Temperature Range	33° - 41° F
Refrigerant	R-290
Maximum Ambient Temp	90° F
Maximum Humidity	65%
Defrosting	Automatic
Cooling System	
Temperature Display	
Temperature Controller	Electronic
H/P	1/6

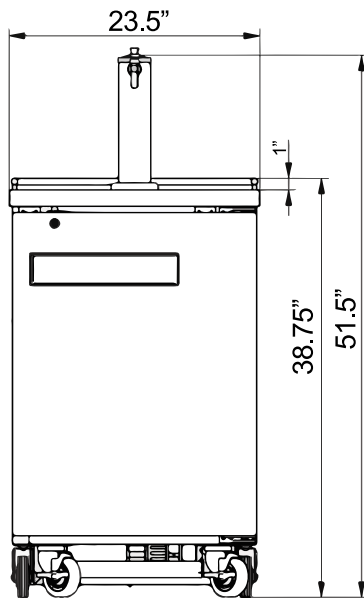
Construction

Exterior Material	Stainless Steel Top, Black Vinyl Finish
Insulation Material	
Shelf Material	
Shelf Load Capacity	
Shelves	2
Doors	1

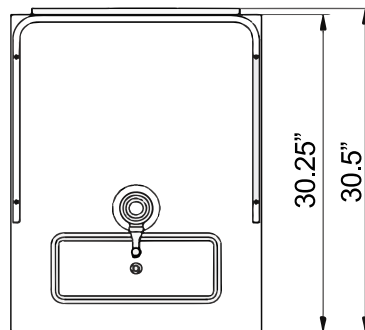
Electrical

Voltage	115/60/1
Amps	1.92

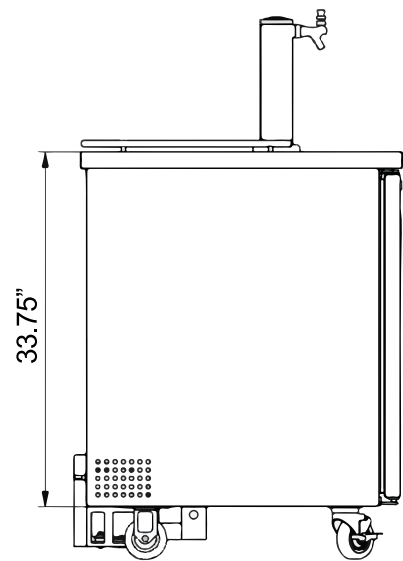
PLAN VIEW



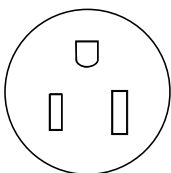
Front View



Top View



Side View



NEMA 5-15P