



SBD-3 3 KEG BEER DISPENSER

UNITS MANUFACTURED PRIOR 10-1-18

INCLUDE 1 YEAR PARTS + LABOR / 5 YEAR COMPRESSOR WARRANTY

UNITS MANUFACTURED AFTER 10-1-18

INCLUDE 2 YEAR PARTS + LABOR / 5 YEAR COMPRESSOR WARRANTY

Dimensions

Exterior Dimensions (WxDxH)	72.75" x 24.375" x 35.625"
Interior Dimensions (WxDxH)	60.125" x 18.5" x 30.5"
Net Volume (cu. ft)	19.6 cu. ft
Gross Weight	381 lbs
Packaging Dimensions (WxDxH)	75" x 28" x 42"
Electrical Cord Length	94"

Cooling

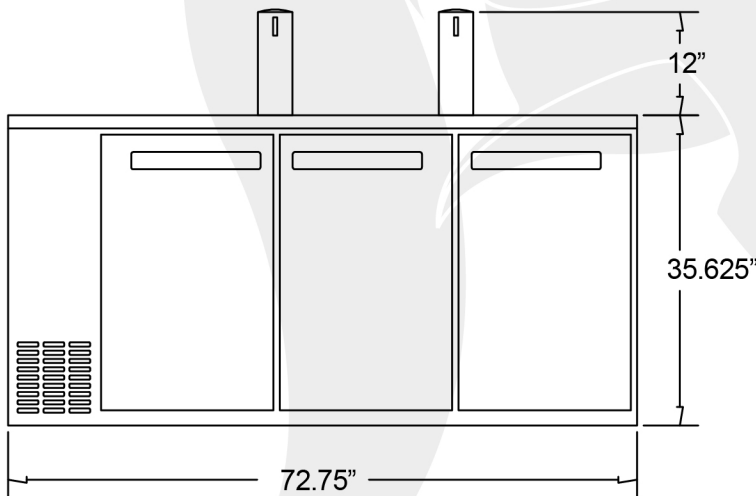
Temperature Range	33° - 50° F
Refrigerant	R134a
Maximum Ambient	90° F
Defrosting	Automatic
Temperature Display	Yes
Temperature Controller	Digital
H/P	1/3

Construction

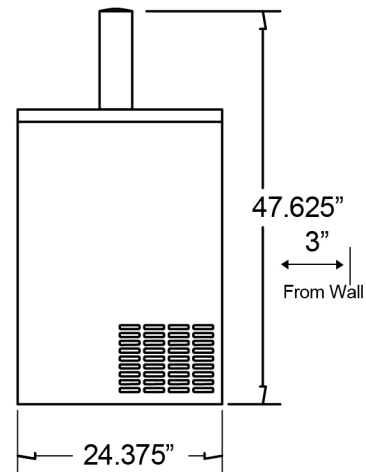
Exterior Material	430 series stainless steel Painted steel sides
Interior Material	304 series stainless steel
Insulation Material	Foamed in place polyurethane
Shelf Material	Plastic coated steel
Shelf Load Capacity	120 lbs

Electrical

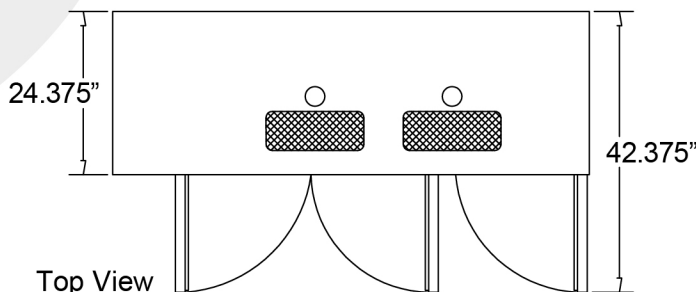
Voltage	115
Amps	7.3
Hz	60
Phase	1



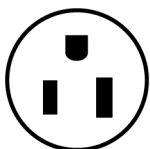
Front View



Side View



Top View



NEMA 5-15P

