

TECHNICAL DATA

Dimensions

Exterior Dimensions (WxDxH)	25.5" x 26.75" x 34.25"
Interior Dimensions (WxDxH)	22.5" x 23" x 16"
Net Volume (cu. ft.)	
Gross Weight	160lb
Packaging Dimensions (WxDxH)	30.5" x 32" x 41.75"
Electrical Cord Length	
Capacity	4.0 cu. ft.
Capacity 8" Mugs	90
Capacity 10" Steins	85

Construction

Exterior Material	Stainless Steel Top
Interior Material	Coated Aluminum
Insulation Material	
Shelf Material	Coated Steel
Shelf Load Capacity	

Cooling

Temperature Range	-5° - 2° F
Refrigerant	R290
Maximum Ambient Temp	90° F
Maximum Humidity	65%
Defrosting	Automatic
Cooling System	
Temperature Display	
Temperature Controller	Electronic
H/P	1/5

Electrical

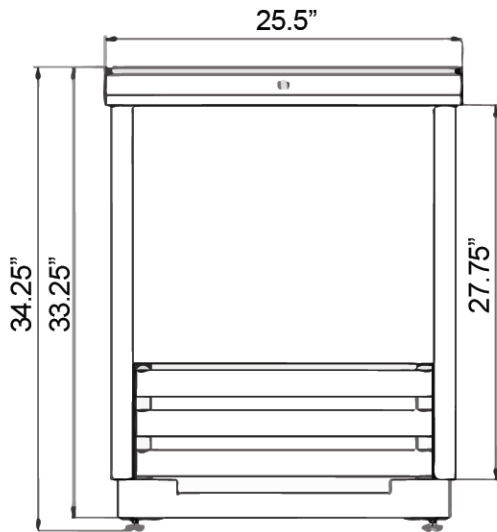
Voltage	115/60/1
Amps	2.04



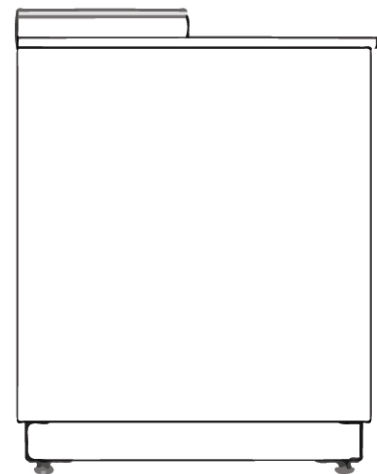
Intertek

COMPLIES WITH ANSI/NSF 7
FOR FOOD SERVICE

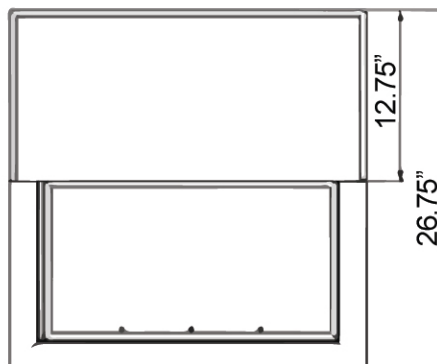
PLAN VIEW



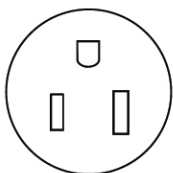
Front View



Side View

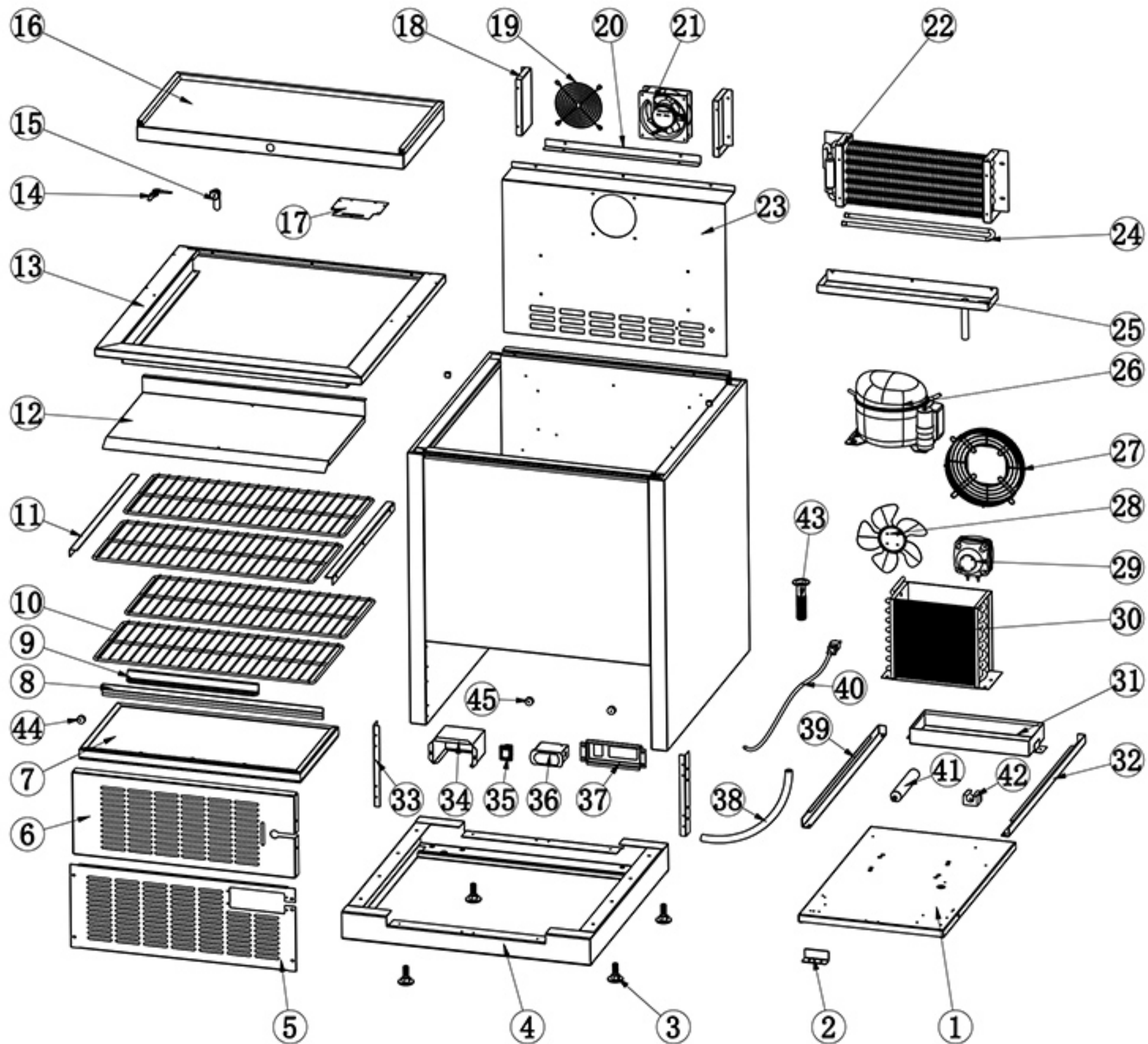


Top View




NEMA 5-15P

SGBF-27



NO.	Part Name	Factory Part NO.	QTY
1	COMPRESSOR UNIT INSTALLATION BOARD		1
2	INSTALLATION BOARD LIMITED BLOCK		3
3	LEVELING FEET	12534030002	4
4	CABINET BASE		1
5	FRONT GRILL		1
6	BACK GRILL		1
7	DOOR		1
8	DOOR GASKET		1
9	DOOR HANDLE	16337030002	1
10	SHELF		4
11	SHELF RAIL		2
12	PANEL UNDER TABLE		1
13	UNDER TABLE COMPONENT		1
14	KEY	12546310002	1
15	LOCK	12546100952	1
16	TOP BOARD		1
17	BASE BOARD FOR LOCK		1
18	EVAPORATOR FAN RIGHT AND LEFT BAFFLE		2
19	EVAPORATOR FAN MOTOR COVER	12504050115	1
20	EVAPORATOR FAN BOTTOM BAFFLE		1
21	EVAPORATOR FAN MOTOR	1003001114715	1
22	EVAPORATOR	17402060350	1
23	EVAPORATOR COVER		1
24	DEFROSTER HEATER	17738230020	1
25	INNER DRAIN PAN		1
26	COMPRESSOR	17202163117	1
27	CONDENSER FAN MOTOR COVER	22726010001	1
28	CONDENSER FAN BLADE	16381738052	1
29	CONDENSER FAN MOTOR	22752520003	1
30	CONDENSER	17303080201	1
31	OUTER DRAIN PAN		1
32	RIGHT RAIL FOR INSTALLATION BOARD		1
33	FIXER FOR FRONT GRILL		2
34	THERMOSTAT WATER PROOF COVER	16351170004	1
35	POWER SWITCH	17749211297	1
36	THERMOSTAT	17505120003	1
37	THERMOSTAT INSTALLATION COVER		1
38	DRAIN TUBE	15818180020	1
39	LEFT RAIL FOR INSTALLATION BOARD		1



40	POWER CORD	17664640048	1
41	FILTER	17111250196	1
42	FILTER FIXER	16357020026	1
43	INNER DRAIN PIPE	15810020901	1
44	DOOR LIMIT BLOCK		1
45	BACK LIMIT BLOCK	16363120001	2