

TECHNICAL DATA

Dimensions

Exterior Dimensions (WxDxH)	49.5" x 26.75" x 34.25"
Interior Dimensions (WxDxH)	45.5" x 23" x 26.5"
Net Volume (cu. ft.)	
Gross Weight	230lbs
Packaging Dimensions (WxDxH)	56" x 33" x 42"
Electrical Cord Length	
Capacity	13.5 cu. ft.
Capacity 8" Mugs	250
Capacity 10" Steins	240

Construction

Exterior Material	Stainless Steel Top
Interior Material	Coated Aluminum
Insulation Material	
Shelf Material	Coated Steel
Shelf Load Capacity	

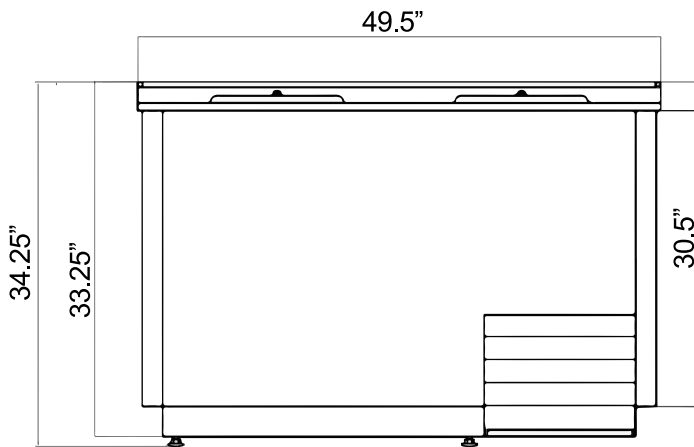
Cooling

Temperature Range	-5° - 2° F
Refrigerant	R-290
Maximum Ambient Temp	90° F
Maximum Humidity	65%
Defrosting	Automatic
Cooling System	
Temperature Display	
Temperature Controller	Electronic
H/P	1/4+

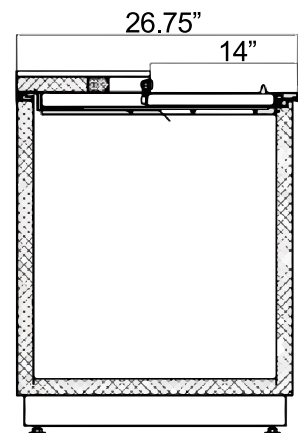
Electrical

Voltage	115/60/1
Amps	3

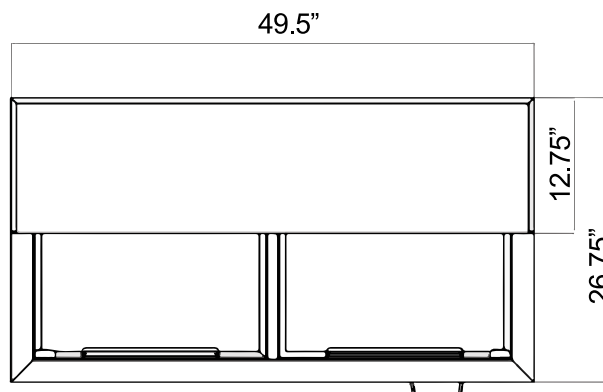
PLAN VIEW



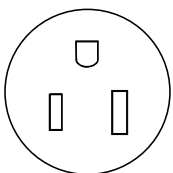
Front View



Side View



Top View



NEMA 5-15P