

# TECHNICAL DATA

## Dimensions

Exterior Dimensions (WxDxH)	72.5" x 32.25" x 25.5"
Interior Dimensions (WxDxH)	61" x 28" x 17"
Net Volume (cu. ft.)	
Gross Weight	350lbs
Packaging Dimensions (WxDxH)	75.25" x 35" x 29"
Electrical Cord Length	
Capacity	15 cu. ft.
Pans	8 - 1/1

## Construction

Exterior Material	Stainless Steel
Interior Material	Stainless Steel
Insulation Material	
Shelf Material	
Shelf Load Capacity	

## Cooling

Temperature Range	33° - 40° F
Refrigerant	R290
Maximum Ambient Temp	90° F
Maximum Humidity	65%
Defrosting	Automatic
Cooling System	
Temperature Display	Digital
Temperature Controller	H/P
	1/5

## Electrical

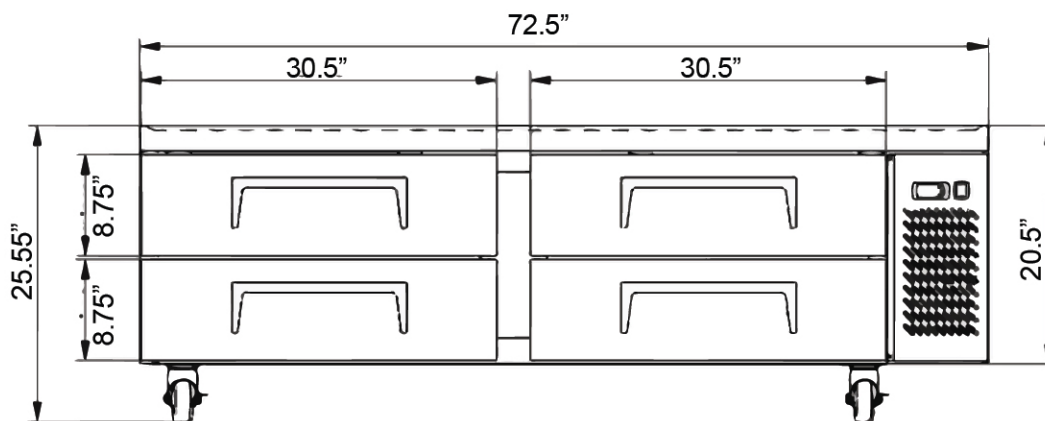
Voltage	115/60/1
Amps	6.4



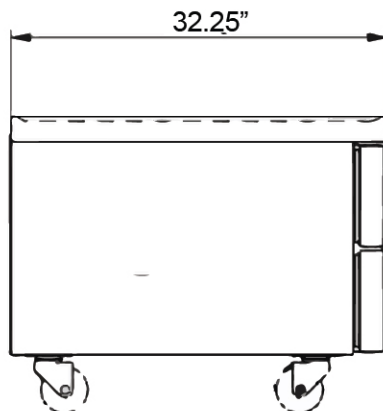
**Intertek**

COMPLIES WITH ANSI/NSF 7  
FOR FOOD SERVICE

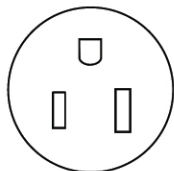
## PLAN VIEW



Front View

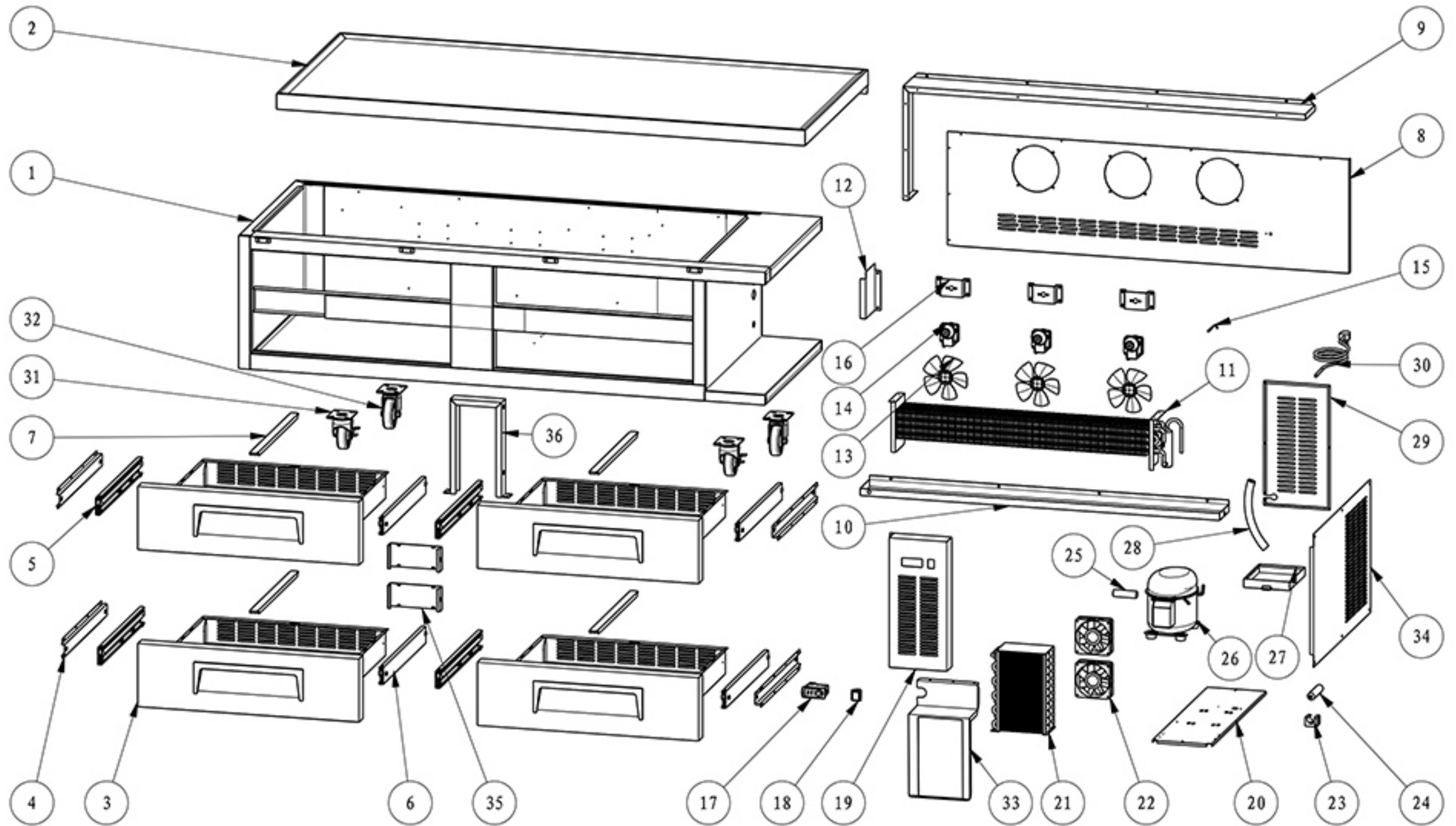


Side View



NEMA 5-15P

# SCB-72



NO.	Part Name	Factory Part NO.	QTY
1	CABINET		1
2	TOP BOARD		1
3	DRAWER		4
4	HANGIN SHEET FOR DRAWER		8
5	DRAWER LEFT SLIDE		4
6	DRAWER RIGHT SLIDE		4
7	PAN BRACKET		4
8	EVAPORATOR COVER		1
9	EVAPORATOR COVER PLATE		1
10	INNER DRAIN PAN		1
11	EVAPORATOR	17405040882	1
12	AIR GUIDE SHEET		1
13	BLADE OF EVAPORATOR FAN MOTOR	16381737612	3
14	EVAPORATOR FAN MOTOR	22752520015	3
15	TEMPERATURE SENSOR OF CABINET INSIDE	17649490016	1
16	EVAPORATOR FAN MOTOR HOLDER		3
17	THERMOSTAT	17505110100	1
18	POWER SWITCH	17749211297	1
19	CONTROL PANEL		1
20	COMPRESSOR UNIT INSTALLATION BOARD		1
21	CONDENSER	17304110151	1
22	CONDENSER FAN MOTOR	1003001114715	2
23	FILTER FIXER	16369690257	1
24	FILTER	17111250145	1
25	START CAPACITOR		1
26	COMPRESSOR	17202100038	1
27	OUTER DRAIN PAN	16316130005	1
28	DRAIN HOSE	15809080016	1
29	BACK GRILL		1
30	POWER CORD	17664640051	1
31	4" CASTOR WITH BRAKE	12533110012	3
32	4" CASTOR	12533110013	3
33	CONDENSER AIR GUIDE SHEET		1
34	AIR DUCT		1
35	SHELF RAIL OF MIDDLE BEAM		2
36	BACK SHELF RAIL		1