

# TECHNICAL DATA

## Dimensions

Outside Dimensions (HxWxD)	50.5" x 36.14" x 30"
Net Weight	339.5 lbs
Gross Weight	297.6 lbs
Gross Volume (LTR)	270
40' HC Container Load (PCS)	68
Shelf Load Capacity	44 lbs
Small Shelf Dimensions (WxD)	31.57" x 12.24"
Large Shelf Dimensions (WxD)	31.57" x 14.60"

## Construction

Number of Shelves	2
Adjustable Shelves	Yes
Shelf Materials	Glass
LED Control Panel	Yes
Length of Cord	70.8"
Insulation Material	C5H140
Internal LED Light	Yes
Eternal Thermometer	Yes
Lock and Key	No
Feet / Adjustable feet	4 casters, 2 w/ brakes

## Cooling

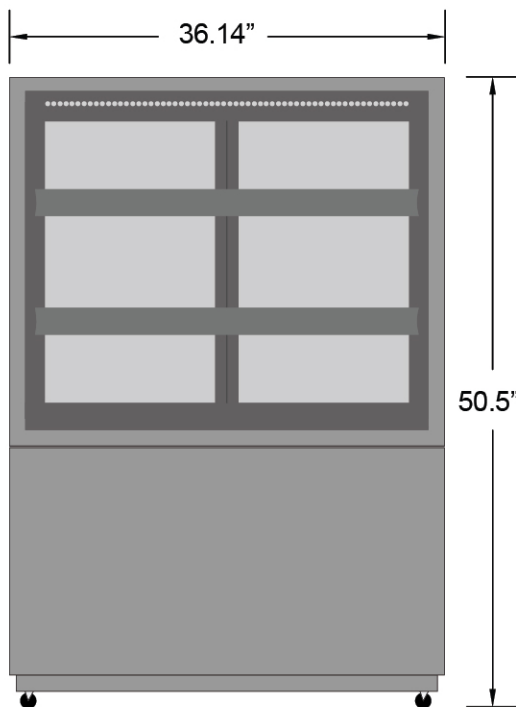
Refrigerant (Type/Gram)	R290/100
Cooling Method	Ventilated
Controller	Digital
Climate Class	4
Temperature Display	Yes
Temperature Controller	Digital
Temperature Range	32°F-53.6°F

## Electrical

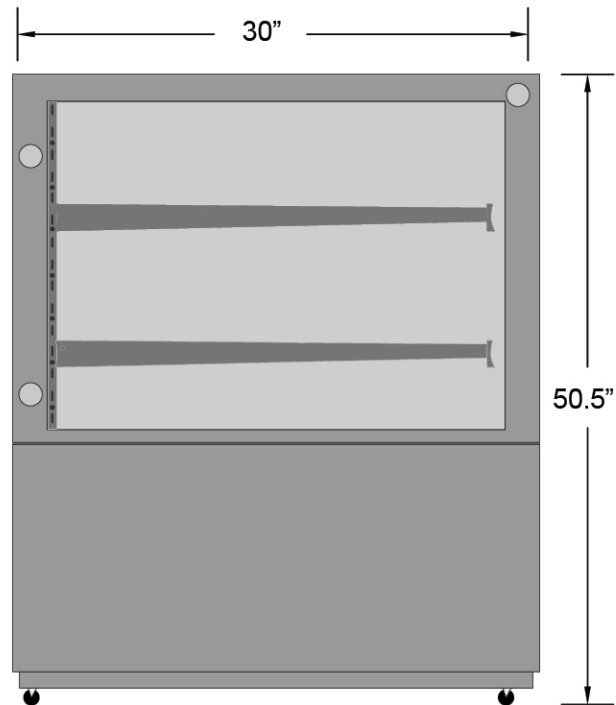
Voltage	110
Hz	60
Watt	350
Running AMPS	4.1



## PLAN VIEW



Front View



Side View