



SD-72 CURVED GLASS DELI CASE

UNITS MANUFACTURED PRIOR 10-1-18

INCLUDE 1 YEAR PARTS + LABOR / 5 YEAR COMPRESSOR WARRANTY

UNITS MANUFACTURED AFTER 10-1-18

INCLUDE 2 YEAR PARTS + LABOR / 5 YEAR COMPRESSOR WARRANTY

Dimensions

Exterior Dimensions (WxDxH)	70.75" x 33.5" x 47.25"
Interior Dimensions (WxDxH)	67" x 27" x 22"
Cubic Feet	20.5 cu.ft.
Shelf Depths:	Shelf 1: 12"
	Shelf 2: 16"
	Shelf 3: 21"
Gross Weight	655 lbs
Packaging Dimensions (WxDxH)	74.5" x 36.25" x 51"

Cooling

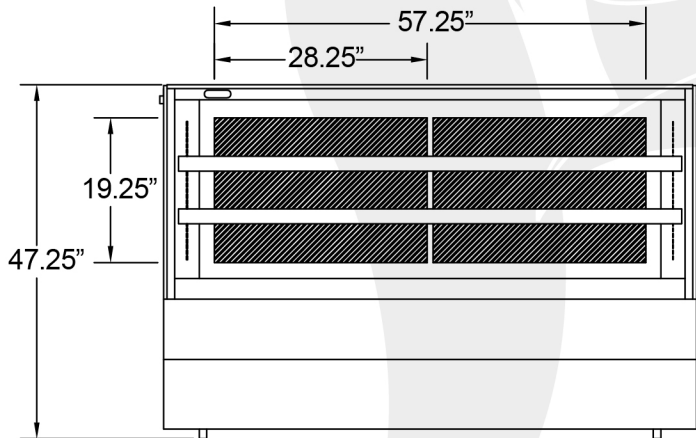
Temperature Range	35° - 47° F
Refrigerant	R134a
Maximum Ambient Temperature Rating	100.4° F
Defrosting	Automatic
Temperature Display	Yes
Temperature Controller	Mechanical
H/P	3/4

Construction

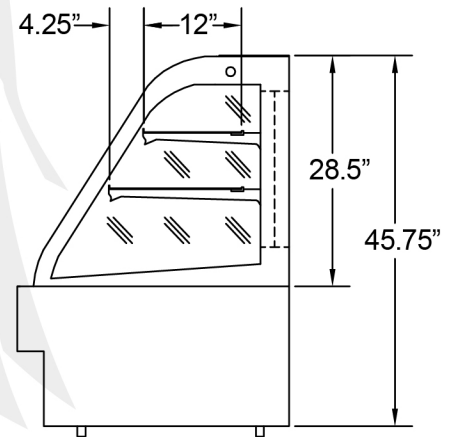
Exterior Material	201 series stainless steel
Interior Material	Glass
Insulation Material	Foamed in place polyurethane
Shelf Load Capacity	44 lbs

Electrical

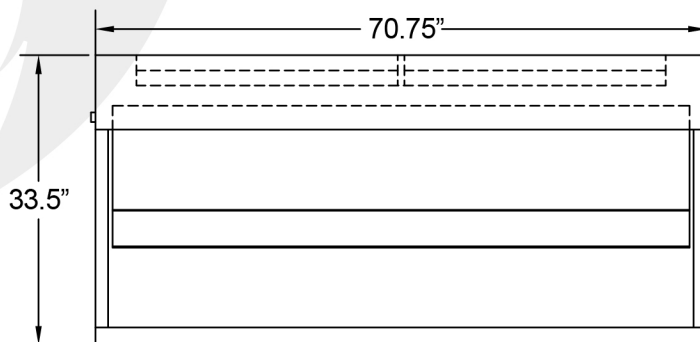
Voltage	110
Amps	13.5
Hz	60
Phase	1



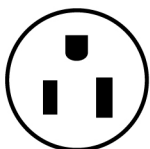
Front View



Side View



Top View



NEMA 5-15P

