

TECHNICAL DATA

Dimensions

Exterior Dimensions (WxDxH)	27" x 25.5" x 84.5"
Interior Dimensions (WxDxH)	21" x 21" x 49"
Net Volume (cu. ft.)	13 cu. ft.
Gross Weight	379 lbs
Packaging Dimensions (WxDxH)	29" x 28.5" x 86"
Electrical Cord Length	84"

Cooling

Temperature Range	-10° - 5° F
Refrigerant	R290
Maximum Ambient Temperature Rating	90° F
Defrosting	Automatic
Temperature Display	Yes
Temperature Controller	Digital
H/P	1/2

Construction

Exterior Material	Painted steel
Door/Lid Material	Glass Door
Insulation Material	Foamed in place polyurethane
Shelf Material	Plastic coated steel
Shelf Load Capacity	90 lbs

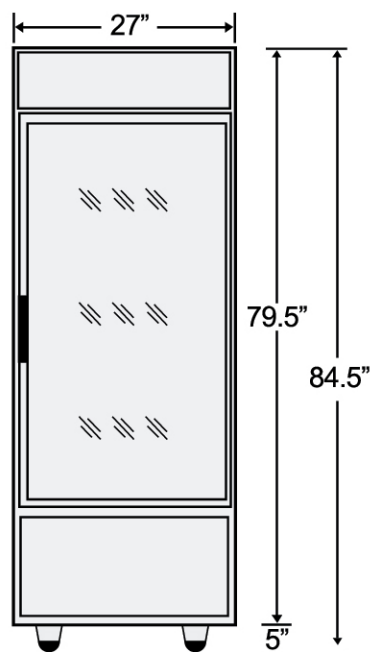
Electrical

Voltage	120
Amps	7.8
Hz	60

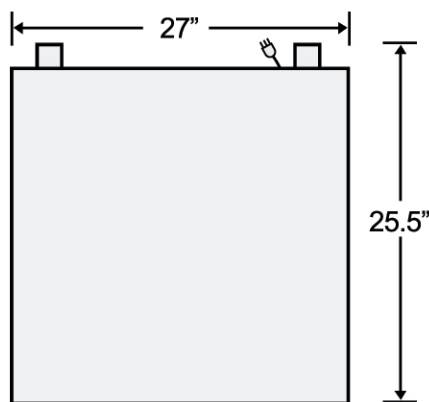
PLAN VIEW



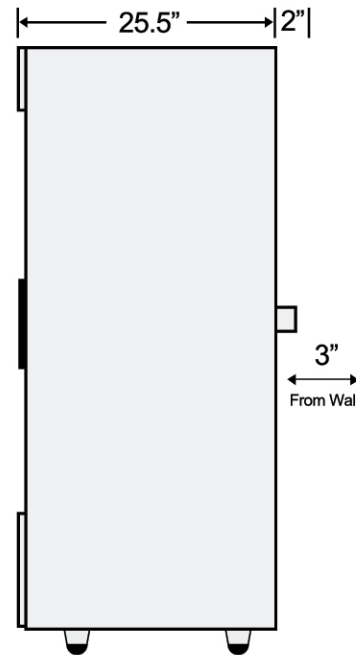
COMPLIES WITH ANSI/NSF 7 FOR FOOD SERVICE



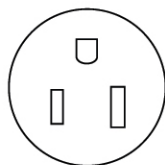
Front View



Top View

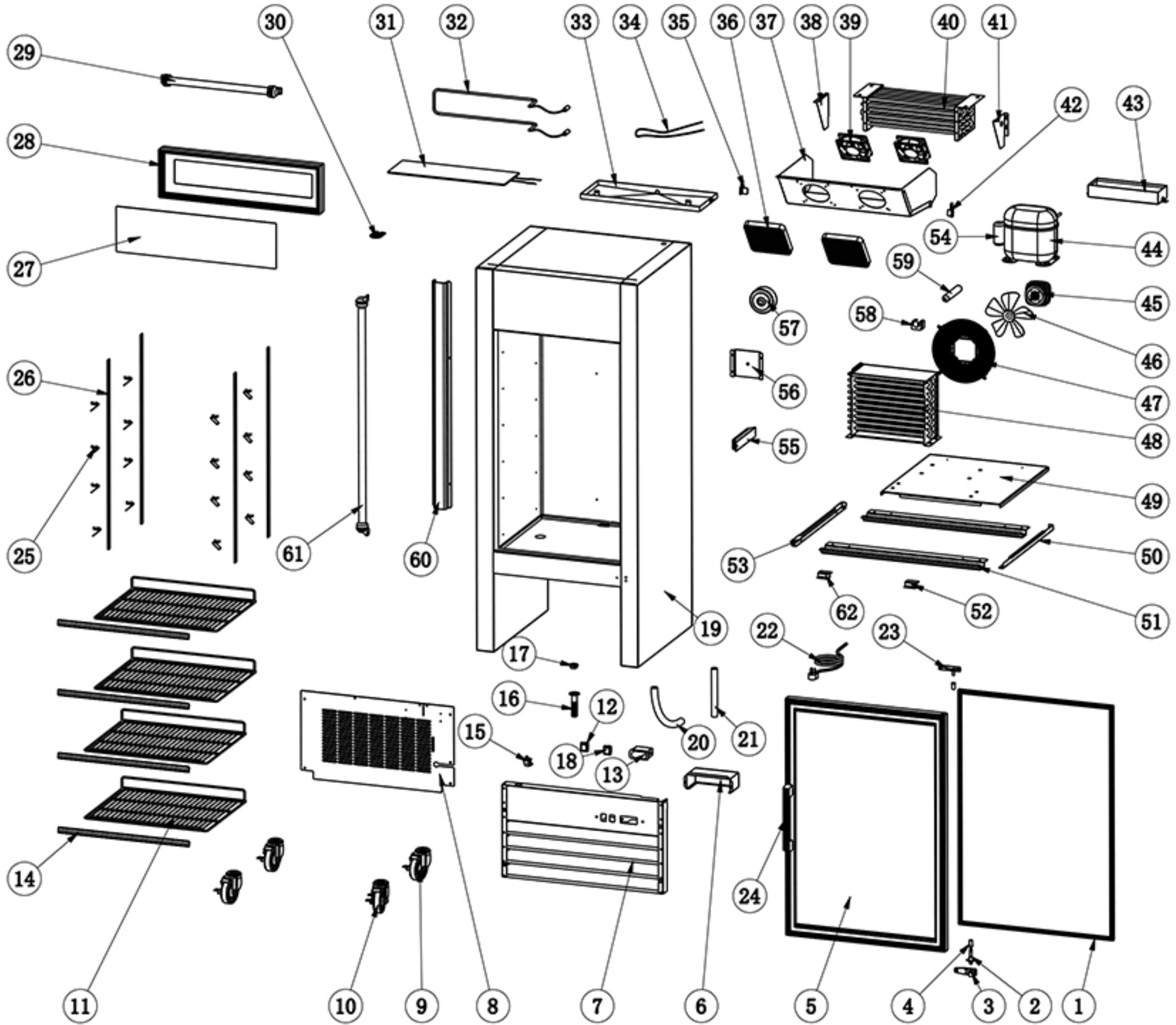


Side View



NEMA 5-15

SGF-26



NO.	Part Name	Factory Part NO.	QTY
1	GASKET	16401000369	1
2	BOTTOM HINGE	12517060308	1
3	BOTTOM HINGE AXIS	12515030004	1
4	AXIS COVER	16353010017	2
5	GALSS DOOR	14204040002	1
6	WATER PROOF COVER		1
7	FRONT GRILLE		1
8	BACK GRILLE		1
9	CASTOR	12533040420	2
10	CASTOR WITH BRACK	12533070420	2
11	SHELF	12502012842	4
12	POWER SWITCH	17749211297	1
13	THERMOSTAT	17505120003	1
14	SHELF TAGE	16311010470	4
15	DOOR SWITCH	17749020004	1
16	DRAIN HOSE	15810020900	1
17	DRAIN PLUG	16369260001	1
18	LIGHT SWITCH	17749180002	1
19	CABINET		1
20	INNER DRAIN PIPE	15818180020	1
21	DRAIN PIPE FOR EVAPORATOR	15818180020	1
22	POWER CORD	17664640049	1
23	UPPER HINGE	12517210002	1
24	INSTALLATION BOARD HANDLE		1
25	K CLIP	5302000003	16
26	K STRIP		8
27	LIGHT BOX PLATE	16317230684	1
28	LIGHT BOX FRAME	12901230688	1
29	CABINET LED	17740410033	2
30	FIXER FOR PROBE	16320090001	1
31	DRAIN PAN HEATER	17602120471	1
32	DEFROST HEATER	17738230088	1
33	EVAPORATOR DRAIN PAN		1
34	DRAIN HOSE HEATER	17603110010	1
35	LEFT BRACKET FOR EVAPORATOR COVER		1
36	EVAPORATOR FAN MOTOR COVER	12504050002	2
37	EVAPORATOR COVER		1
38	LEFT END PLATE FOR EVAPORATOR		1
39	EVAPORATOR FAN MOTOR	1003001114715	2
40	EVAPORATOR	17406070375	1
41	RIGHT END PLATE FOR EVAPORATOR		1

42	RIGHT BRACKET FOR EVAPORATOR COVER		1
43	OUTTER DRAIN PAN	16316130008	1
44	COMPRESSOR	17202162168	1
45	CONDENSER FAN MOTOR	22752520006	1
46	CONDENSER FAN BLADE	16381738052	1
47	CONDENSER FAN MOTOR COVER		1
48	CONDENSER	17303080202	1
49	COMPRESSOR INSTALLTION BOARD		1
50	RIGHT TRACK FOR INSTALLATION BOARD		1
51	CASTOR INSTALLATION PLATE		2
52	INSTALLATION BOARD BLOCK		2
53	LEFT TRACK FOR INSTALLTION BOARD		1
54	COMPRESSOR COMPONENT		1
55	POWER SUPPLY FOR LED	22753530009	1
56	INSTALLATION BOARD FOR TRANSFORMER		1
57	GLASS DOOR HEATER TRANSFORMER	22753530021	1
58	FILTER FIXER	16369690257	1
59	FILTER	17111250198	1
60	AIR PIPE PROTECTION BOARD		1
61	LED LIGHT	17740410038	1
62	GLASS DOOR HANDLE	12526260024	1