



## SGF-26 1 DOOR REACH-IN GLASS DOOR FREEZER

UNITS MANUFACTURED PRIOR 10-1-18

INCLUDE 1 YEAR PARTS + LABOR / 5 YEAR COMPRESSOR WARRANTY

UNITS MANUFACTURED AFTER 10-1-18

INCLUDE 2 YEAR PARTS + LABOR / 5 YEAR COMPRESSOR WARRANTY

### Dimensions

Exterior Dimensions (WxDxH)	27" x 25.5" x 84.5"
Interior Dimensions (WxDxH)	21" x 21" x 49"
Net Volume (cu. ft.)	13 cu. ft.
Gross Weight	379 lbs
Packaging Dimensions (WxDxH)	29" x 28.5" x 86"
Electrical Cord Length	84"

### Cooling

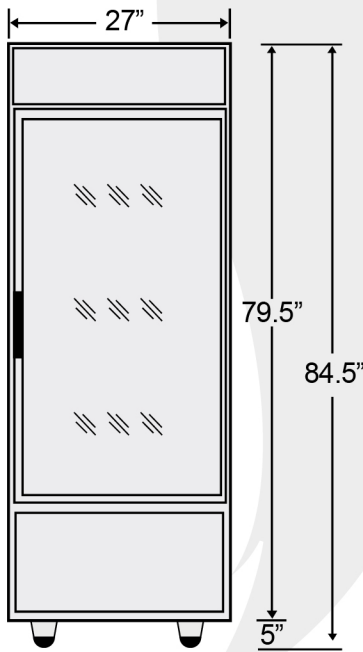
Temperature Range	-10° - 5° F
Refrigerant	R404a
Maximum Ambient Temperature Rating	90° F
Defrosting	Automatic
Temperature Display	Yes
Temperature Controller	Digital
H/P	1/2

### Construction

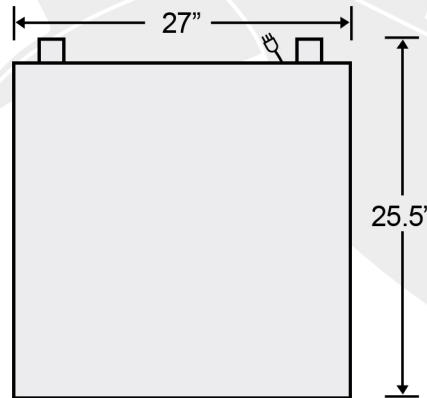
Exterior Material	Painted steel
Door/Lid Material	Glass Door
Insulation Material	Foamed in place polyurethane
Shelf Material	Plastic coated steel
Shelf Load Capacity	90 lbs

### Electrical

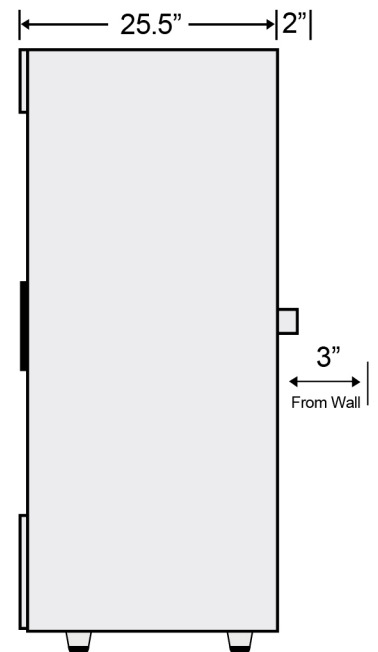
Voltage	120
Amps	7.8
Hz	60



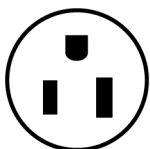
Front View



Top View



Side View



NEMA 5-15P

