



## SGF-49 2 DOOR REACH-IN GLASS DOOR FREEZER

UNITS MANUFACTURED PRIOR 10-1-18  
 INCLUDE 1 YEAR PARTS + LABOR / 5 YEAR COMPRESSOR WARRANTY

UNITS MANUFACTURED AFTER 10-1-18  
 INCLUDE 2 YEAR PARTS + LABOR / 5 YEAR COMPRESSOR WARRANTY

### Dimensions

Exterior Dimensions (WxDxH)	49.2" x 26.2" x 84.7"
Interior Dimensions (WxDxH)	43.5" x 21.3" x 49"
Net Volume (cu. ft.)	25 cu. ft.
Gross Weight	614 lbs
Packaging Dimensions (WxDxH)	51" x 28.5" x 86"

### Cooling

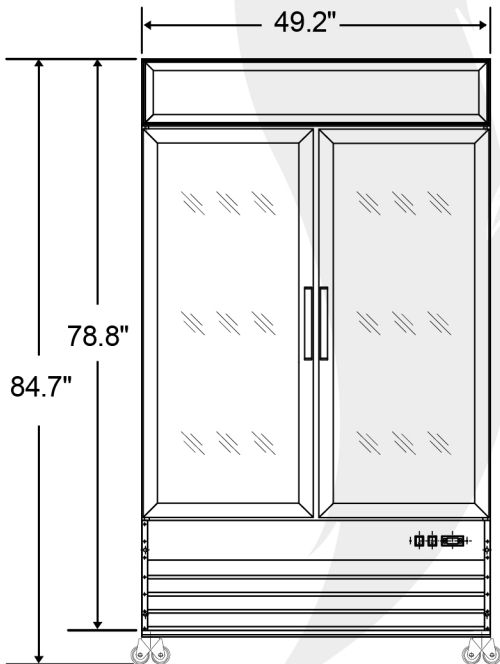
Temperature Range	-10° - 5° F
Refrigerant	R404a
Maximum Ambient Temperature Rating	100.4° F
Defrosting	Automatic
Temperature Display	Yes
Temperature Controller	Digital
H/P	1

### Construction

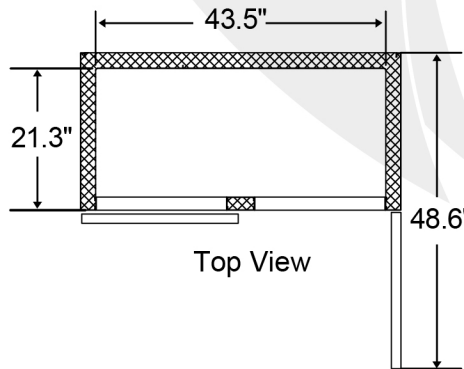
Exterior Material	Painted steel
Door/Lid Material	Glass Door
Insulation Material	Foamed in place polyurethane
Shelf Material	Plastic coated steel
Shelf Load Capacity	90 lbs

### Electrical

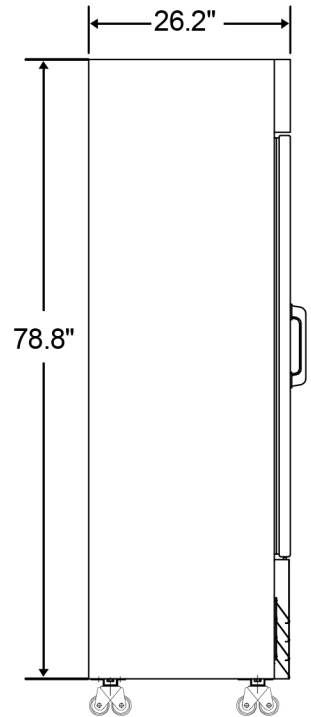
Voltage	120
Amps	12.8
Hz	60
Phase	1



Front View



Top View



Side View



NEMA 5-20

