

TECHNICAL DATA

Dimensions

Exterior Dimensions (WxDxH)	26" x 25.5" x 84.5"
Interior Dimensions (WxDxH)	21" x 21" x 49"
Net Volume (cu. ft.)	14 cu. ft.
Gross Weight	264 lbs
Packaging Dimensions (WxDxH)	29" x 28.5" x 86"
Electrical Cord Length	84"

Cooling

Temperature Range	33° - 40° F
Refrigerant	R290
Maximum Ambient Temperature Rating	90° F
Defrosting	Automatic
Temperature Display	Yes
Temperature Controller	Digital
H/P	1/4

Construction

Exterior Material	Painted steel
Door/Lid Material	Glass Door
Insulation Material	Foamed in place polyurethane
Shelf Material	Plastic coated steel
Shelf Load Capacity	90 lbs

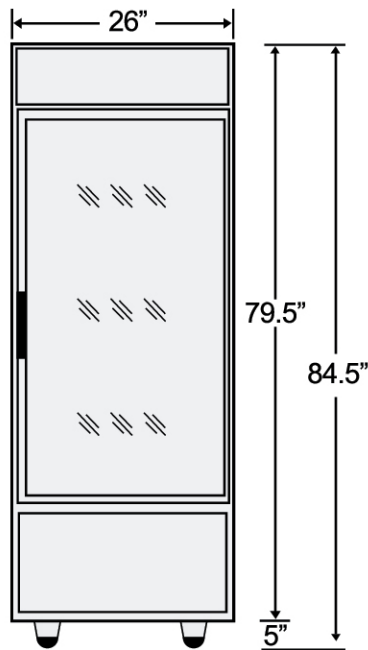
Electrical

Voltage	120
Amps	5.2
Hz	60

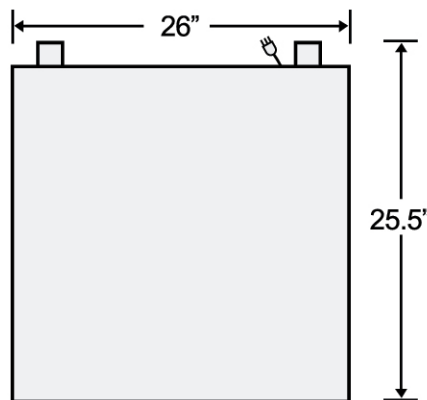
PLAN VIEW



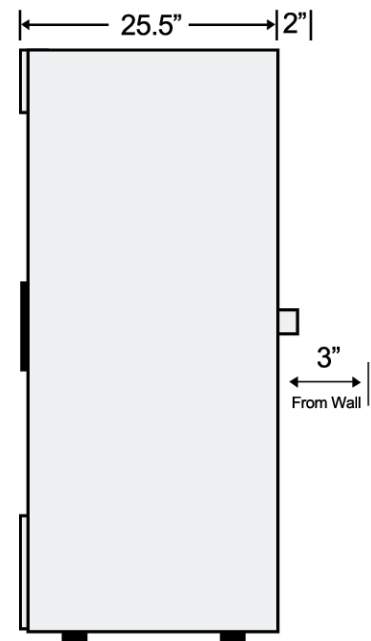
COMPLIES WITH ANSI/NSF 7 FOR FOOD SERVICE



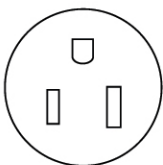
Front View



Top View

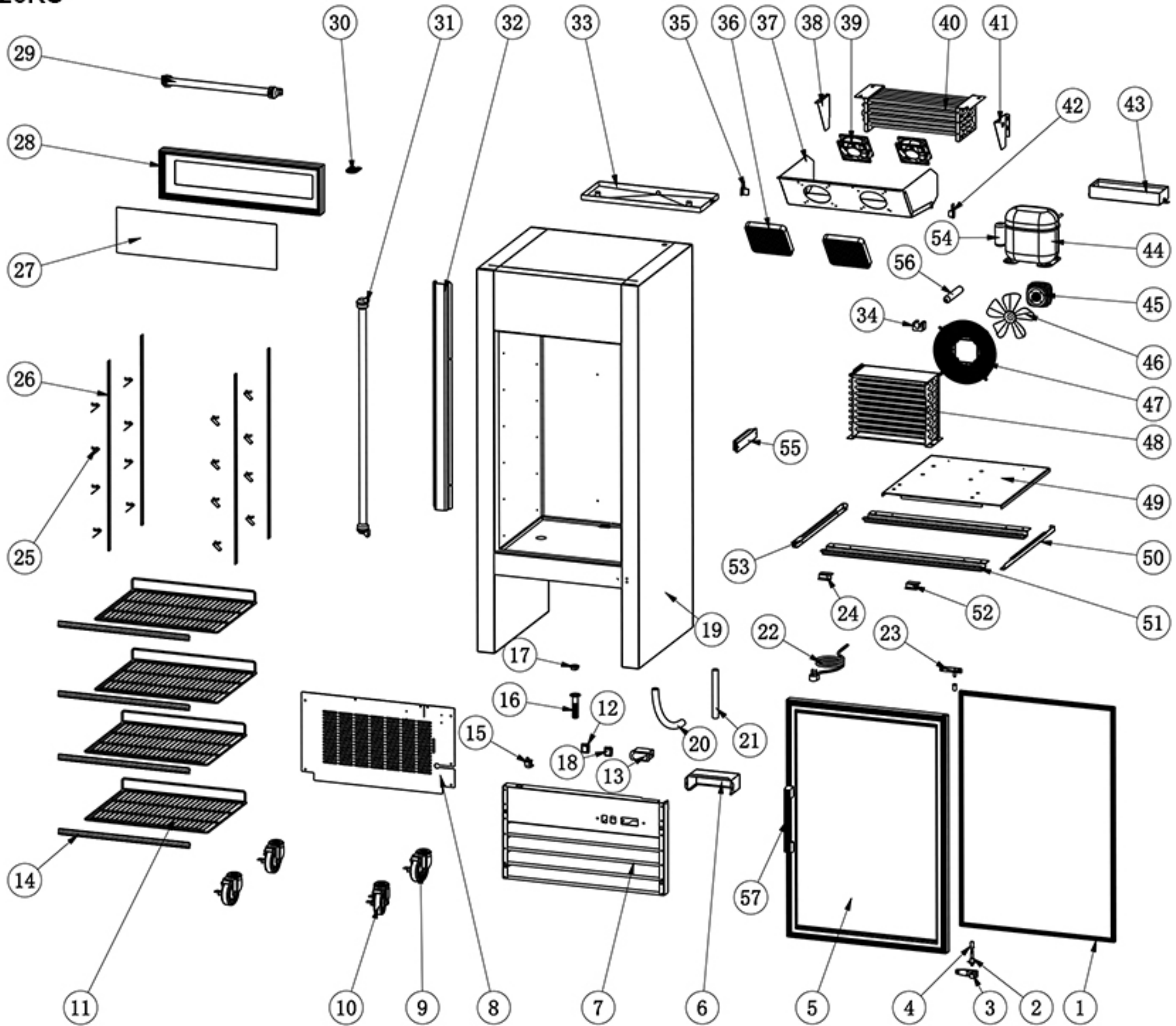


Side View



NEMA 5-15

SGM-26RS



NO.	Part Name	Factory Part NO.	QTY
1	GASKET	16401000368	1
2	BOTTOM HINGE AXIS	12515030004	1
3	BOTTOM HINGE	12517060308	1
4	AXIS COVER	16353010017	2
5	GLASS DOOR	14201651366	1
6	WATERPROOF COVER		1
7	FRONT GRILL		1
8	BACK GRILL		1
9	4' CASTER WITHOUT BREAK	12533040420	2
10	4' CASTER WITH BREAK	12533070420	2
11	SHELF	12502012842	4
12	POWER SWITCH	17749211297	1
13	THERMOSTAT	17505180005	1
14	SHELF TAG	16311010470	4
15	DOOR SWITCH	17749020004	1
16	PLASTIC DRAIN PIPE	15810020900	1
17	DRAIN PLUG	16369260001	1
18	LIGHT SWITCH	17749180002	1
19	CABINET		1
20	DRAIN TUBE INSIDE CABINET	15818180020	1
21	DRAIN TUBE FOR EVAPORATOR	15818180020	1
22	POWER CORD	17664640052	1
23	UPPER HINGE	12517210002	1
24	HANDLE FOR INSTALLATION BOARD		1
25	K CLIP	5302000003	32
26	K STRIP		8
27	LIGHT BOX PLATE	16317220626	1
28	LIGHT BOX FRAME	12901230658	1
29	LED INSIDE LIGHT BOX	17740410033	1
30	FIXER FOR SENSOR	16320090001	1
31	LED INSIDE CABINET	17740410038	1
32	AIR PIPE PROTECTION BOARD		1
33	INNER DRAIN PAN		1
34	FILTER FIXER	16369690257	1
35	LEFT BRACKET FOR EVAPORATOR FAN COVER		1
36	EVAPORATOR FAN COVER	12504050002	2
37	EVAPORATOR COVER		1
38	LEFT END PLATE FOR EVAPORATOR FAN MOTOR		1
39	EVAPORATOR FAN MOTOR	1003001114715	2
40	EVAPORATOR	17406070375	1
41	RIGHT END PLATE FOR EVAPORATOR FAN MOTOR		1

42	RIGHT BRACKET FOR EVAPORATOR FAN COVER		1
43	OUTER DRAIN PAN	16316130008	1
44	COMPRESSOR	17202163117	1
45	CONDENSER FAN MOTOR	22752520006	1
46	CONDENSER FAN MOTOR BLADE	16381738052	1
47	CONDENSER FAN COVER		1
48	CONDENSER	17303080202	1
49	COMPRESSOR UNIT INSTALLATION BOARD		1
50	RIGHT TRACK FOR INSTALLATION BOARD		1
51	CASTOR SUPPORTER		2
52	LIMITED BLOCK FOR INSTALLATION BOARD		2
53	LEFT TRACK FOR INSTALLATION BOARD		1
54	COMPRESSOR COMPONENT		1
55	LED POWER SUPPLY	22753530009	1
56	FILTER	17111250198	1
57	GLASS DOOR HANDLE	12526260024	1