



SGM-72RS 3 DOOR REACH-IN GLASS DOOR REFRIGERATOR

UNITS MANUFACTURED PRIOR 10-1-18
 INCLUDE 1 YEAR PARTS + LABOR / 5 YEAR COMPRESSOR WARRANTY

UNITS MANUFACTURED AFTER 10-1-18
 INCLUDE 2 YEAR PARTS + LABOR / 5 YEAR COMPRESSOR WARRANTY

Dimensions

Exterior Dimensions (WxDxH)	78.3" x 30" x 80.7"
Interior Dimensions (WxDxH)	73.7" x 25.6" x 49"
Net Volume (cu. ft.)	69 cu. ft.
Gross Weight	615 lbs
Packaging Dimensions (WxDxH)	80.5" x 32" x 87"

Construction

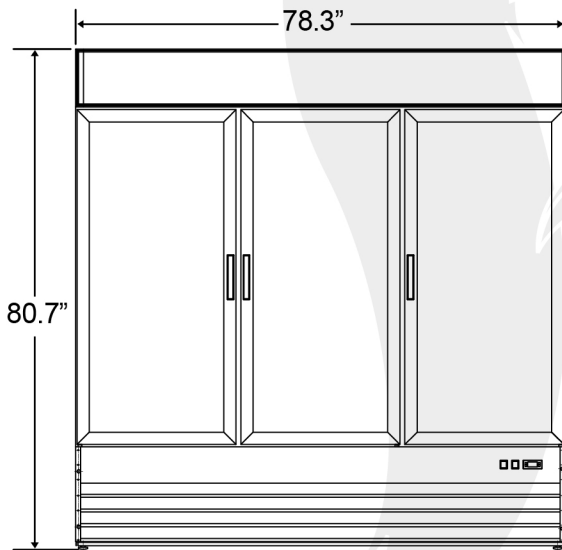
Exterior Material	Painted steel
Door/Lid Material	Glass Door
Insulation Material	Foamed in place polyurethane
Shelf Material	Plastic coated steel
Shelf Load Capacity	90 lbs

Cooling

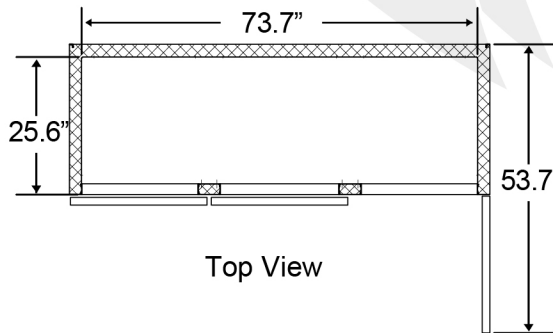
Temperature Range	32° - 40° F
Refrigerant	R134a
Maximum Ambient Temperature Rating	90° F
Defrosting	Automatic
Temperature Display	No
Temperature Controller	Mechanical
H/P	1/2

Electrical

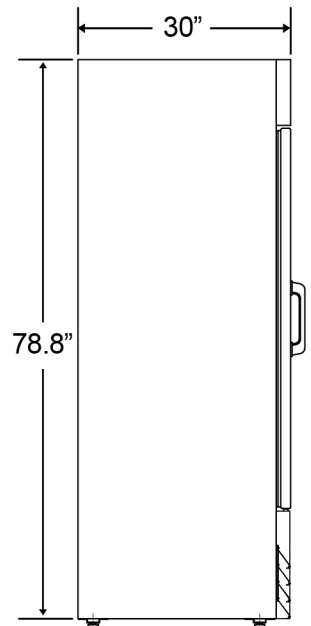
Voltage	120
Amps	13.1
Hz	60
Phase	1



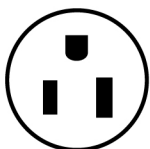
Front View



Top View



Side View



NEMA 5-15P

