



## SPR-50 1 DOOR PIZZA PREP TABLE

UNITS MANUFACTURED PRIOR 10-1-18

INCLUDE 1 YEAR PARTS + LABOR / 5 YEAR COMPRESSOR WARRANTY

UNITS MANUFACTURED AFTER 10-1-18

INCLUDE 2 YEAR PARTS + LABOR / 5 YEAR COMPRESSOR WARRANTY

### Dimensions

|                                    |                         |
|------------------------------------|-------------------------|
| Exterior Dimensions (WxDxH)        | 50" x 31.5" x 44"       |
| Interior Dimensions Top (WxDxH)    | 42.25" x 10" x 13"      |
| Interior Dimensions Bottom (WxDxH) | 27.5" x 27.25" x 23.75" |
| Cutting Board Dimensions (WxDxH)   | 50" x 19.5" x .75"      |
| Net Volume (cu. ft.)               | 8 cu. ft.               |
| Gross Weight                       | 408 lbs                 |
| Packaging Dimensions (WxDxH)       | 55" x 36" x 47.5"       |
| Electrical Cord Length             | 84"                     |

### Cooling

|                                    |             |
|------------------------------------|-------------|
| Temperature Range                  | 32° - 50° F |
| Refrigerant                        | R134a       |
| Maximum Ambient Temperature Rating | 100.4° F    |
| Defrosting                         | Automatic   |
| Temperature Display                | Yes         |
| Temperature Controller             | Digital     |
| H/P                                | 1/4         |

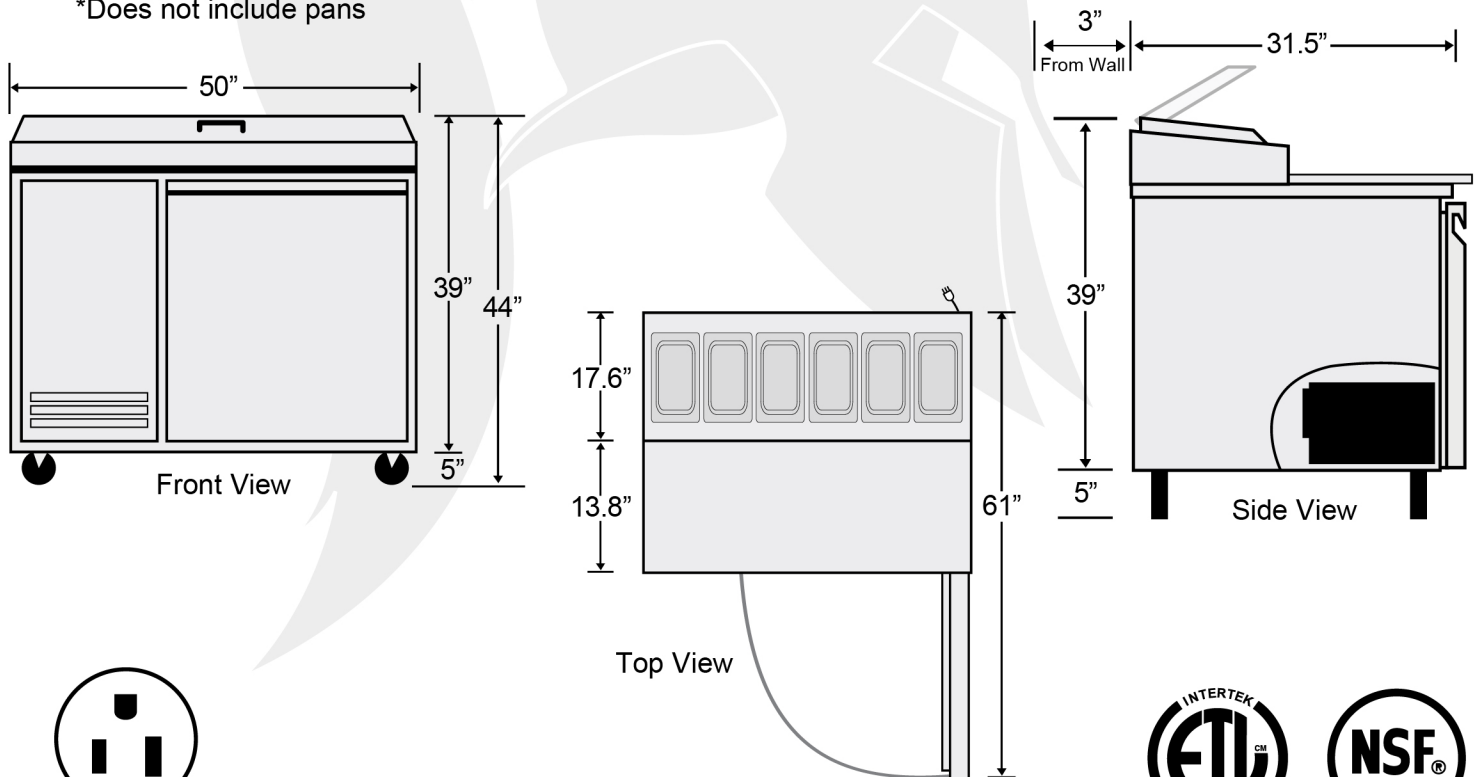
### Construction

|                     |                              |
|---------------------|------------------------------|
| Exterior Material   | 430 series stainless steel   |
| Interior Material   | 304 series stainless steel   |
| Insulation Material | Foamed in place polyurethane |
| Shelf Material      | Plastic coated steel         |
| Shelf Load Capacity | 90 lbs                       |

\*Does not include pans

### Electrical

|         |     |
|---------|-----|
| Voltage | 120 |
| Amps    | 5.2 |
| Hz      | 60  |



NEMA 5-15P

