

TECHNICAL DATA

Dimensions

Outside Dimensions (HxWxD)	15.98" x 46.34" x 12.52"
Packaging Dimensions (HxWxD)	18.9" x 48.7" x 14.76"
Net Weight	80.46 lbs
Gross Weight	76 lbs
Gross Volume (LTR)	42
40' HC Container Load (PCS)	287

Cooling

Refrigerant (Type/Gram)	R290/32
Cooling Method	Ventilated
Controller	Digital
Climate Class	4
Temperature Display	Yes
Temperature Controller	Digital
Temperature Range	32°F-53.6°F

Construction

Number of Pans	4* 1/3 GN Pans
Adjustable Shelves	No
Pan Materials	Stainless Steel
Length of Cord	70.8"
Insulation Material	C5H140
Internal Lighting	LED on top
LED Control Panel	Yes
Night Curtain	No
External Thermometer	Yes
Lock and Key	No
Feet / Adjustable feet	4* stable feet

Electrical

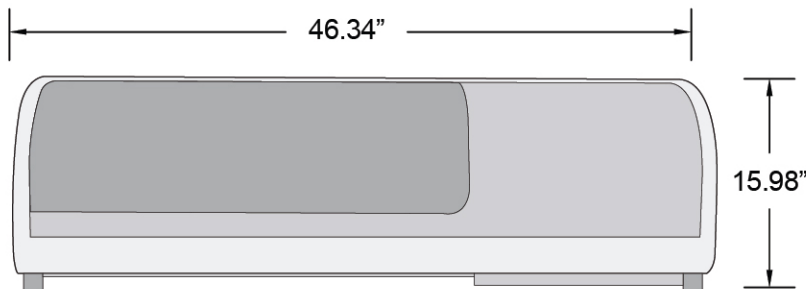
Voltage	115
Hz	60
Watt	180
Running AMPS	1.83



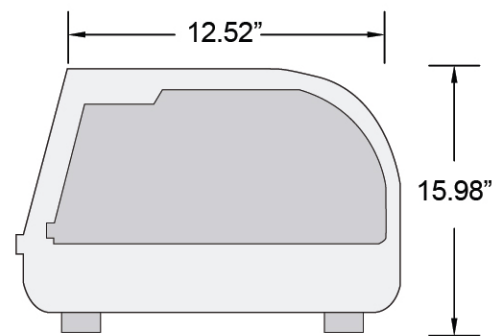
Intertek

COMPLIES WITH ANSI/NSF 7
FOR FOOD SERVICE

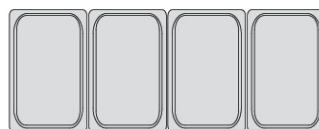
PLAN VIEW



Front View



Side View



4* 1/3 GN Pans