

# TECHNICAL DATA

## Dimensions

Exterior Dimensions (WxDxH)	27.5" x 34" x 46.25"
Interior Dimensions Top (WxDxH)	24" x 21.5" x 8.5"
Interior Dimensions Bottom (WxDxH)	24" x 19.5" x 20"
Cutting Board Dimensions (WxDxH)	27.5" x 8" x .75"
Net Volume (cu. ft.)	5.75 cu. ft.
Gross Weight	198 lbs
Packaging Dimensions (WxDxH)	32" x 38.5" x 49.5"
Electrical Cord Length	84"

## Cooling

Temperature Range	32° - 40° F
Refrigerant	R134a
Maximum Ambient Temperature Rating	90° F
Defrosting	Automatic
Temperature Display	Yes
Temperature Controller	Digital
H/P	1/4

## Construction

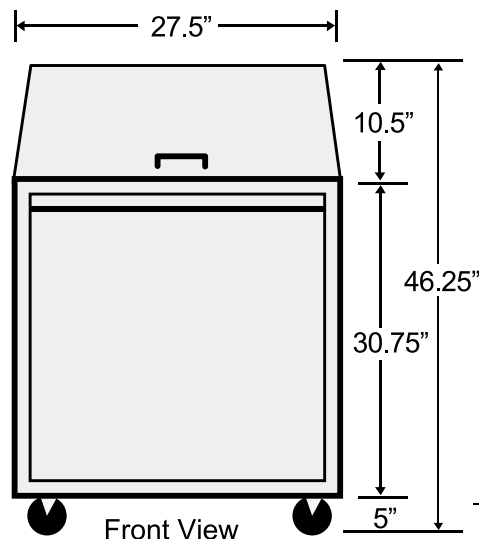
Exterior Material	430 series stainless steel
Interior Material	304 series stainless steel
Insulation Material	Foamed in place polyurethane
Shelf Material	Plastic coated steel
Shelf Load Capacity	90 lbs

\*Does not include pans

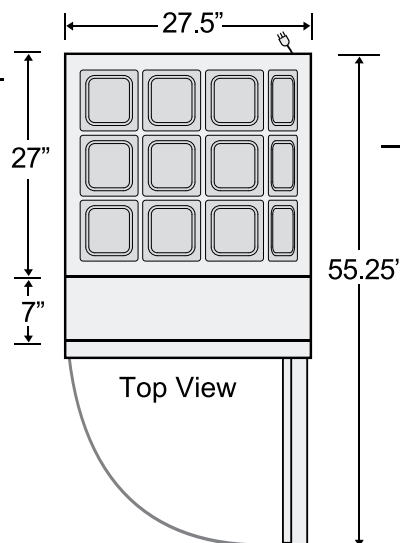
## Electrical

Voltage	120
Amps	5.2
Hz	60
Phase	1

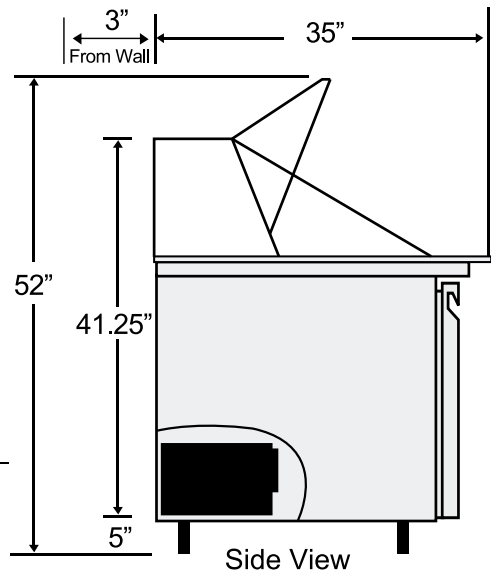
## PLAN VIEW



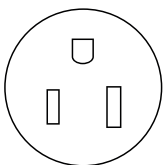
Front View



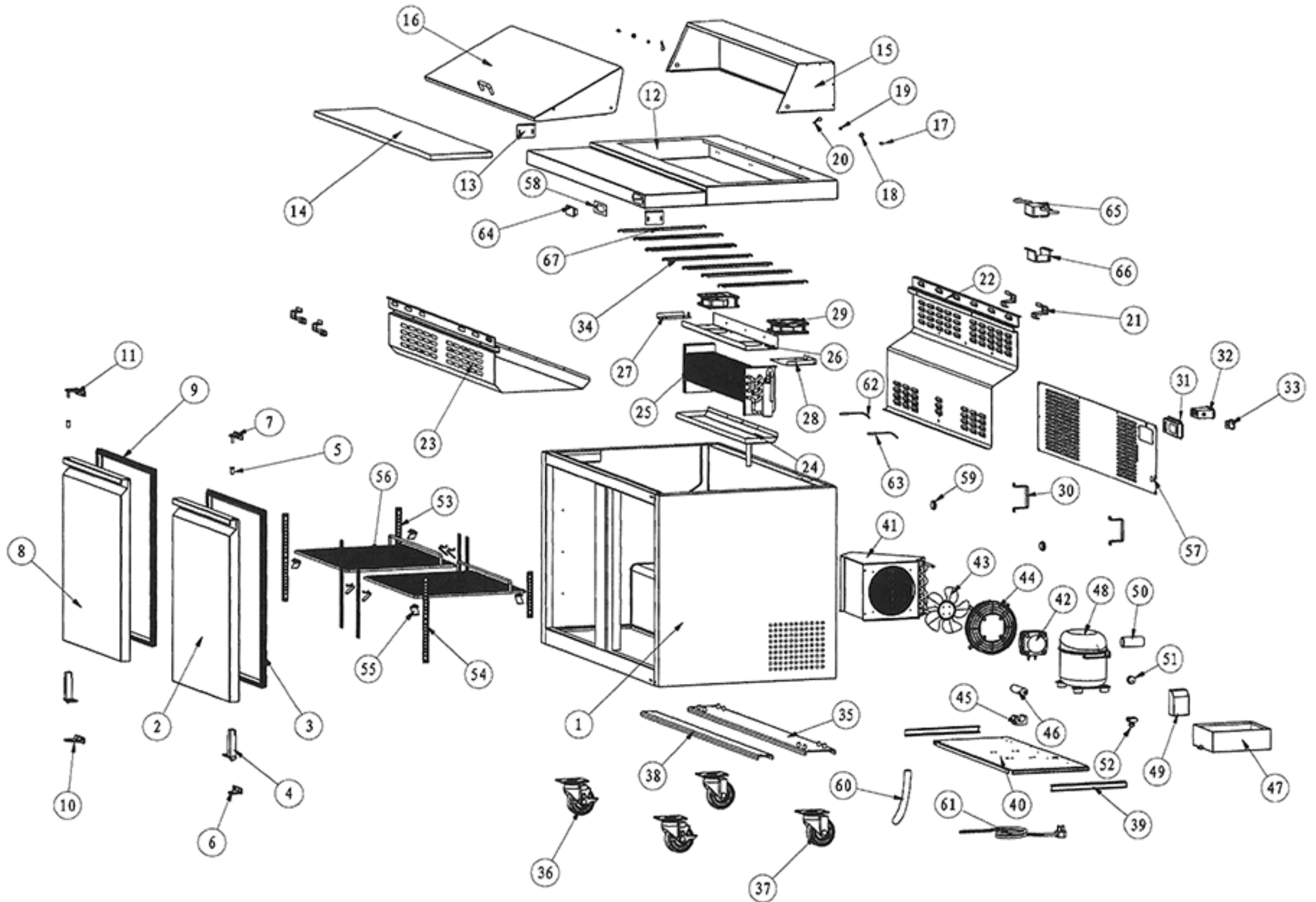
Top View



Side View



NEMA 5-15



<b>Part #</b>	<b>Part Name</b>	<b>Part Qty</b>
1	Cabinet	1
2	Right Door	1
3	Gasket	2
4	Spring Hinge	2
5	Hinge Axis Cover	4
6	Bottom Right Hinge	1
7	Upper Right Hinge	1
8	Left Door	1
9	Gasket	2
10	Bottom Left Hinge	1
11	Upper Left Hinge	1
12	Top Board	1
13	Fixer For Cutting Board	2
14	Cutting Board	1
15	Back Cover	1
16	Lid	1
17	Plastic Bolt	4
18	Dowel	4
19	Dowel	4
20	Plastic Bolt	4
21	Nut	4
22	Split Pin	4
23	Air Duct Support	8
24	Evaporator Cover	1
25	Air Return Cover	1
26	Inner Drain Pan	1
27	Evaporator	1
28	Fan Motor Installation Panel	1
29	Left Clapboard of Evaporator	1
30	Right Clapboard of Evaporator	1
31	Evaporator Fan Motor	3&4
32	Stand Off Bracket	2
33	Thermostat Installation Box	1
34	Thermostat	1
35	Power Switch	1
36	Pan Bracket-15	2
37	Pan Bracket-25	7&11

38	Castor Support	1
39	4" Castor with Brake	2
40	4" Castor	2
41	Installation Board Support	1
42	Compressor Unit Track	2
43	Compressor Unit Installation Board	1
44	Condenser	1
45	Condenser Fan Motor	1
46	Condenser Fan Motor Blade	1
47	Condenser Fan Cover	1
48	Filter Fixer	1
49	Filter	1
50	Outer Drain Pan	1
51	Compressor	1
52	Splice Box	1
53	Start Capacitor	1
54	Overload Protector	1
55	Starter	1
56	K Strip - 2 Holes	6
57	K Strip - 3 Holes	6
58	K Clip	12
59	Shelf	3
60	Back Grill	1
61	Drain Tube (16mm)	1
62	Power Cord	1
63	Temperature Sensor 1 (Thermostat)	1
64	Temperature Sensor 2 (Fahrenheit temp Disp)	1
65	Fahrenheit Temp Display	1
66	Transformer for Fahrenheit Temp Display	1
67	Transformer Holder	1
68	Middle Small Caster Support	1
69	Middle Small Caster (Baseplate, without Brake)	1
70	Pan Bracket - 90mm	1