



# SST-60-24 2 DOOR MEGA TOP SANDWICH/SALAD PREP REFRIGERATOR

UNITS MANUFACTURED PRIOR 10-1-18  
 INCLUDE 1 YEAR PARTS + LABOR / 5 YEAR COMPRESSOR WARRANTY

UNITS MANUFACTURED AFTER 10-1-18  
 INCLUDE 2 YEAR PARTS + LABOR / 5 YEAR COMPRESSOR WARRANTY

## Dimensions

Exterior Dimensions (WxDxH)	60" x 34" x 46.25"
Interior Dimensions Top (WxDxH)	56.25" x 21.5" x 8.5"
Interior Dimensions Bottom (WxDxH)	56" x 19.5" x 20"
Cutting Board Dimensions (WxDxH)	60" x 8.0" x .75"
Net Volume (cu. ft.)	15 cu. ft.
Gross Weight	428 lbs
Packaging Dimensions (WxDxH)	65" x 38.5" x 49.5"
Electrical Cord Length	84"

## Cooling

Temperature Range	32° - 40° F
Refrigerant	R134a
Maximum Ambient Temperature Rating	90° F
Defrosting	Automatic
Temperature Display	Yes
Temperature Controller	Digital
H/P	1/2

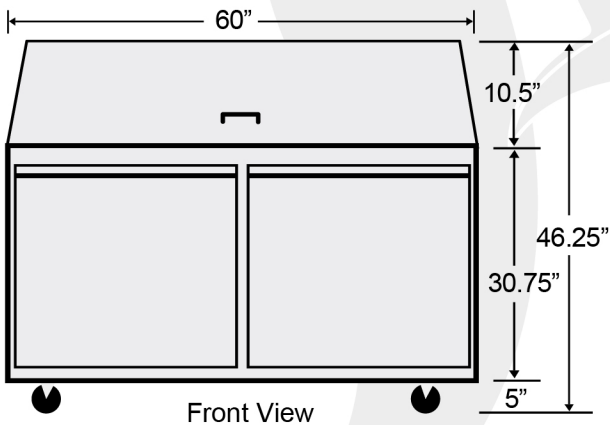
## Construction

Exterior Material	430 series stainless steel
Interior Material	304 series stainless steel
Insulation Material	Foamed in place polyurethane
Shelf Material	Plastic coated steel
Shelf Load Capacity	90 lbs

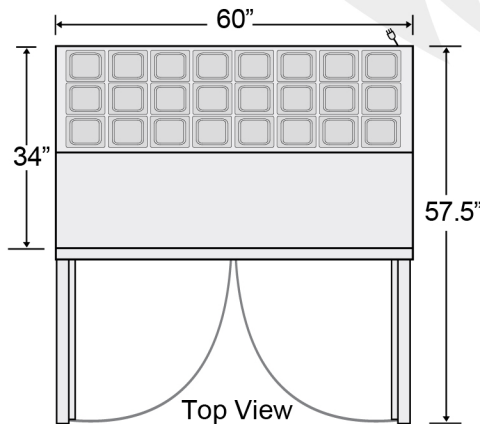
\*Does not include pans

## Electrical

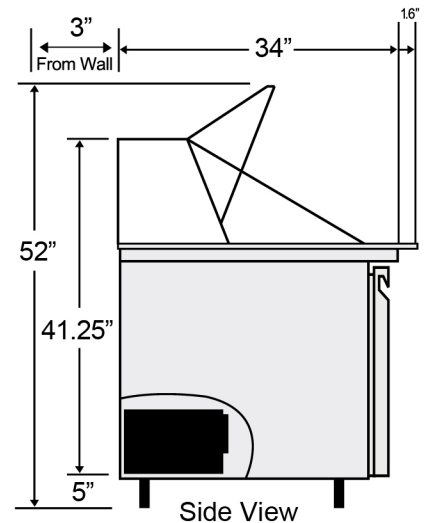
Voltage	115
Amps	9.1
Hz	60



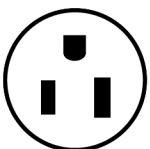
Front View



Top View



Side View



NEMA 5-15P

