



## STF-72 3 DOOR REACH-IN FREEZER

UNITS MANUFACTURED PRIOR 10-1-18

INCLUDE 1 YEAR PARTS + LABOR / 5 YEAR COMPRESSOR WARRANTY

UNITS MANUFACTURED AFTER 10-1-18

INCLUDE 2 YEAR PARTS + LABOR / 5 YEAR COMPRESSOR WARRANTY

### Dimensions

Exterior Dimensions (WxDxH)	81" x 32.25" x 82.5"
Interior Dimensions (WxDxH)	76.25" x 27" x 60.25"
Net Volume (cu. ft.)	72 cu. ft.
Gross Weight	745 lbs
Packaging Dimensions (WxDxH)	82" x 34" x 84.5"

### Cooling

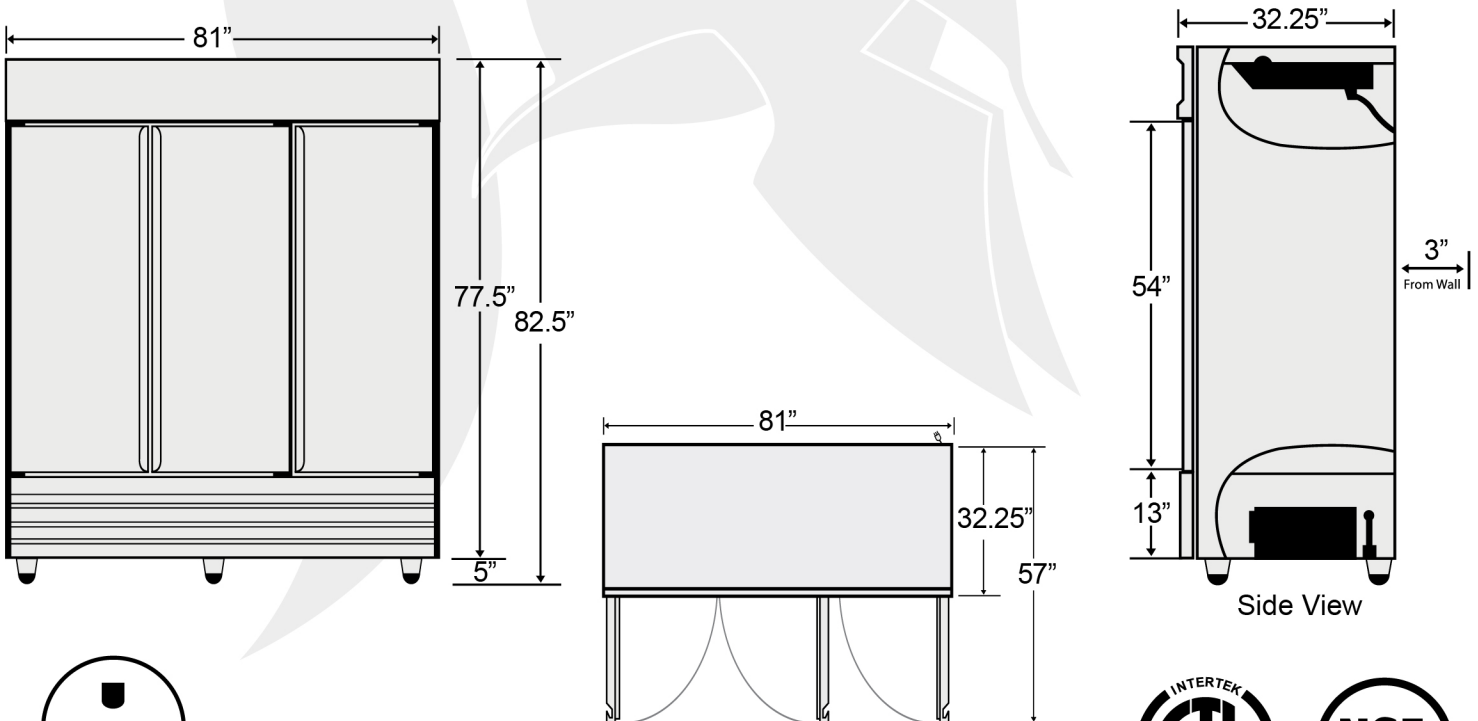
Temperature Range	-7.5° - 0° F
Refrigerant	R404a
Maximum Ambient Temperature Rating	100.4° F
Defrosting	Automatic
Temperature Display	Yes
Temperature Controller	Digital
H/P	1 ¼

### Construction

Exterior Material	430 series stainless steel
Interior Material	304 series stainless steel
Insulation Material	Foamed in place polyurethane
Shelf Material	Plastic coated steel
Shelf Load Capacity	120 lbs

### Electrical

Voltage	120
Amps	12.8
Hz	60
Phase	1



NEMA 5-20

