



SUF-27 1 DOOR UNDERCOUNTER FREEZER

UNITS MANUFACTURED PRIOR 10-1-18
INCLUDE 1 YEAR PARTS + LABOR / 5 YEAR COMPRESSOR WARRANTY

UNITS MANUFACTURED AFTER 10-1-18
INCLUDE 2 YEAR PARTS + LABOR / 5 YEAR COMPRESSOR WARRANTY

Dimensions

Exterior Dimensions (WxDxH)	27" x 29.5" x 35.5"
Interior Dimensions (WxDxH)	22" x 19.5" x 23.5"
Net Volume (cu. ft.)	6.25 cu. ft.
Gross Weight	199 lbs
Packaging Dimensions (WxDxH)	30" x 32.5" x 38"

Construction

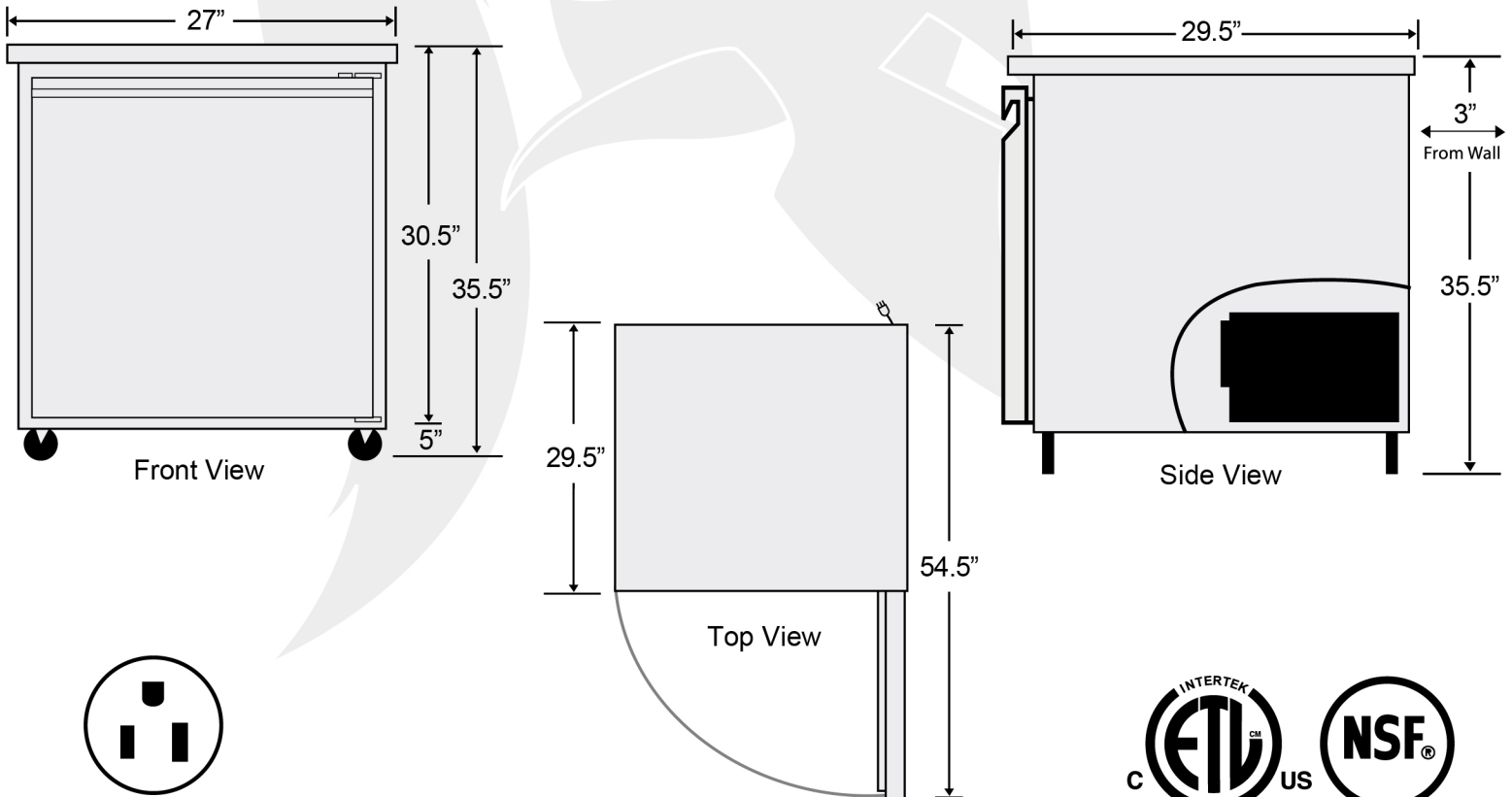
Exterior Material	430 series stainless steel
Interior Material	304 series stainless steel
Insulation Material	Foamed in place polyurethane
Shelf Material	Plastic coated steel
Shelf Load Capacity	90 lbs

Cooling

Temperature Range	-7° - 0° F
Refrigerant	R404a
Maximum Ambient Temperature Rating	100.4° F
Defrosting	Automatic
Temperature Display	Yes
Temperature Controller	Digital
H/P	1/4

Electrical

Voltage	120
Amps	5.2
Hz	60
Phase	1



NEMA 5-15P

