

TECHNICAL DATA

Dimensions

Dimensions (WxDxH)	19.7" x 23.2" x 35.4"
Output (lb/24hr)	120 lbs
Bin Capacity	40 lbs
Net Weight	100 lbs
Gross Weight	110 lbs
Packaging Dimensions (WxDxH)	22.8" x 26.4" x 32.9"
Ice Cube Size half cube	.86"x.86".86"

Cooling

Refrigerant	R290
Temperature Display	Yes
Temperature Controller	Digital
Condenser Unit	Air
Compressor	Secop

Construction

Exterior Material	304 series stainless steel
Interior Material	Polyethylene
Water Filter Capacity	2.2 GPM
UV Light Included For Sanitation	

Electrical

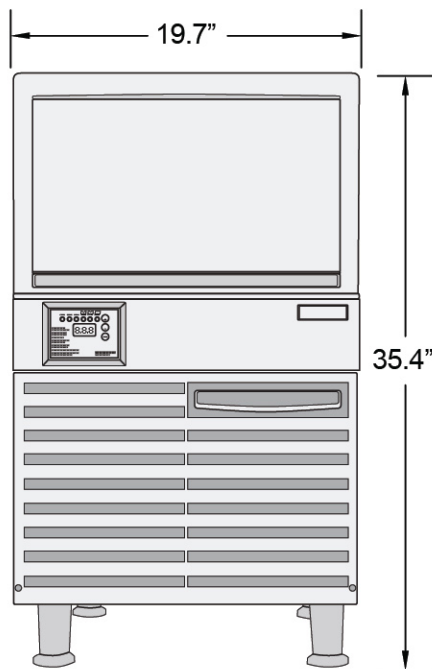
Voltage	115
Power	446W
Hz	60

PLAN VIEW

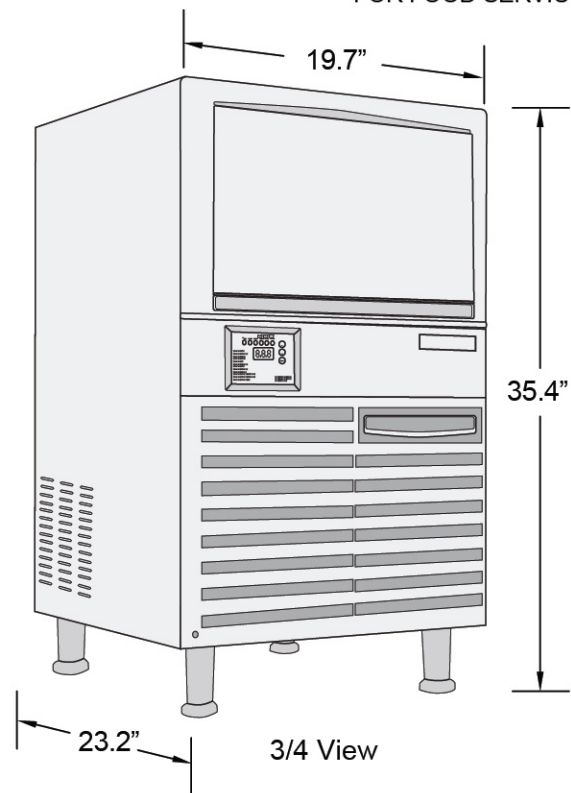


Intertek

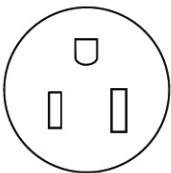
COMPLIES WITH ANSI/NSF 7
FOR FOOD SERVICE



Front View

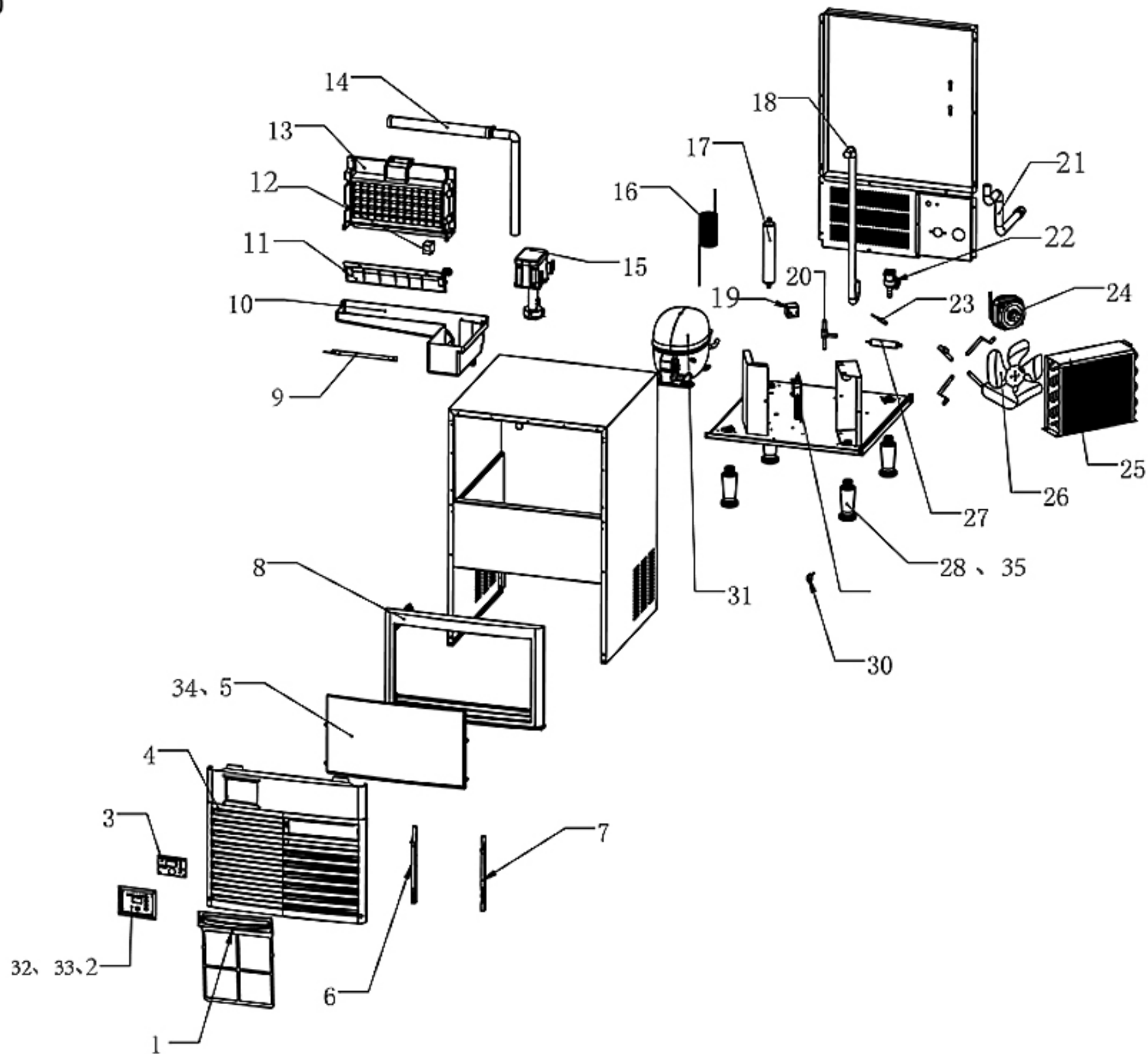


3/4 View



NEMA 5-15P

SUIM-120



NO.	Part Name	Factory Part NO.
1	VENTILATION WINDOW FILTER	05.016.016
2,32,33	CONTROL PANEL	05.004.005
		05.004.006
		18.001.039
3	DISPLAY PANEL	03.012.043
4	FRONT VENTILATION WINDOW	05.015.011
5,34	DOOR PANEL ASSEMBLY	05.013.012
		05.013.014
6	FILTER LEFT CARD SLOT	05.016.017
7	FILTER RIGHT CARD SLOT	05.016.018
8	DOOR FRAME ASSEMBLY	05.014.007
9	COLD LIGHT	06.017.003
10	SINK-80	05.001.004
11	SKATEBOARD (PARTS OF EVAPORATOR)	03.004.001
12	ICE FULL SENSOR	03.013.008
13	EVAPORATOR	03.003.004
14	SPRINKLER TUBE ASSEMBLY (PARTS OF EVAPORATOR)	SL.FB.32480656.00
15	WATER PUMP	03.009.005
16	CAPILLARY	02.002.006
17	GAS-LIQUID SEPARATOR	02.003.008
18	SILICONE HOSE	09.005.003
19	DEFROST VALVE BODY	04.005.003
20	DEFROST VALVE COIL	04.007.006
21	OFF-BOARD DRAIN	17.009.001
22	INLET VALVE	04.003.010
23	CONDENSATION SENSOR	04.010.008
24	FAN	03.006.011
25	CONDENSER-120	03.005.008
26	FAN BLADE	03.007.001
27	DRY FILTER	02.005.002
28,35	FOOT	17.007.003
		17.007.004
29	PC BOARD	03.011.038
30	LED LIGHT REED SWITCH MAGNETIC SWITCH	06.016.005
31	COMPRESSOR DLE6.5CN	03.001.096