

# TECHNICAL DATA

## Dimensions

Exterior Dimensions (WxDxH)	27" x 29.5" x 35.5"
Interior Dimensions (WxDxH)	22" x 19.5" x 23.5"
Net Volume (cu. ft.)	6.25 cu. ft.
Gross Weight	196 lbs
Packaging Dimensions (WxDxH)	30" x 32.5" x 38"

## Cooling

Temperature Range	33° - 40° F
Refrigerant	R290
Maximum Ambient Temperature Rating	90° F
Defrosting	Automatic
Temperature Display	Yes
Temperature Controller	Digital
H/P	1/5

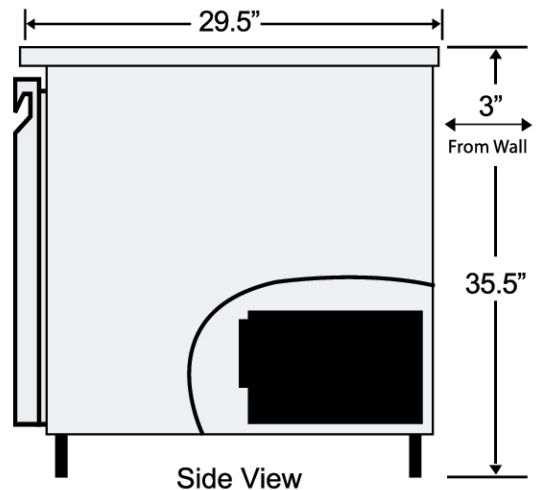
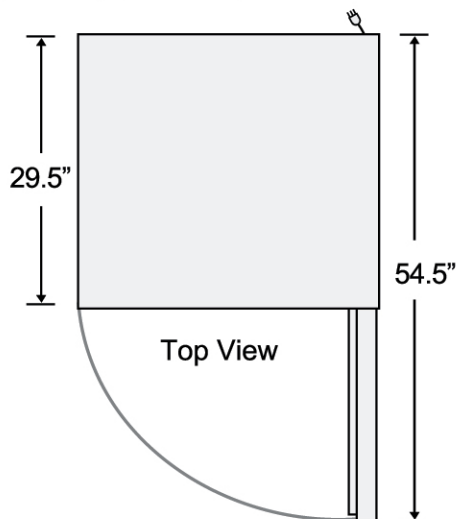
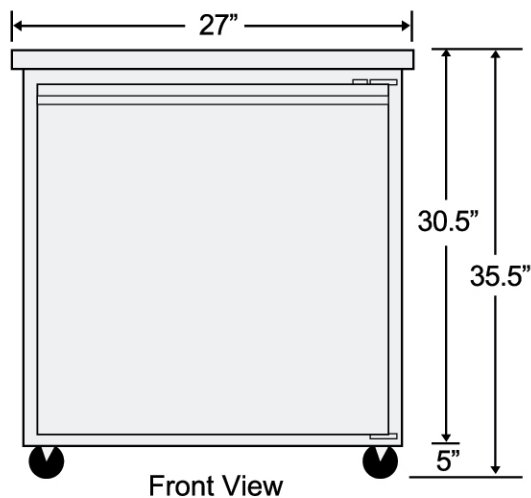
## Construction

Exterior Material	430 series stainless steel
Interior Material	304 series stainless steel
Insulation Material	Foamed in place polyurethane
Shelf Material	Plastic coated steel
Shelf Load Capacity	90 lbs

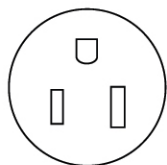
## Electrical

Voltage	120
Amps	4.6
Hz	60
Phase	1

## PLAN VIEW

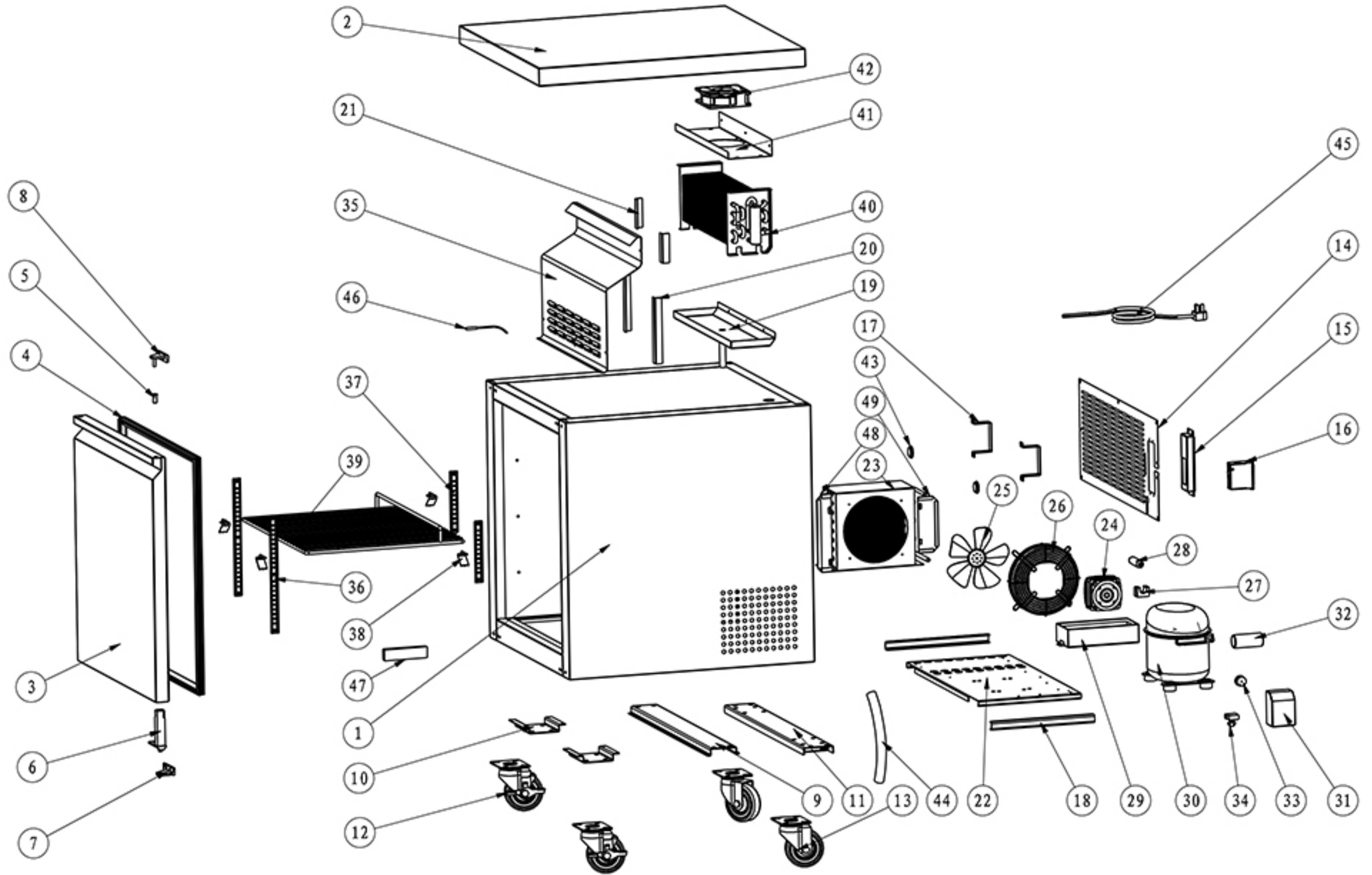


COMPLIES WITH ANSI/NSF 7 FOR FOOD SERVICE



NEMA 5-15

# SUR-27



NO.	Part Name	Factory Part NO.	QTY
1	CABINET		1
2	TOP BOARD		1
3	DOOR		1
4	GASKET	16401638638	1
5	AXIS COVER	16353010008	1
6	SPRING HINGE BOARD	12517010001	1
7	BOTTOM RIGHT HINGE	12517140005	1
8	UPPER RIGHT HINGE	12517140004	1
9	CASTOR SUPPORT B		1
10	CASTOR SUPPORT C		2
11	CASTOR SUPPORT A		1
12	4" CASTOR WITH BRAKE	12533070420	2
13	4" CASTOR	12533040420	2
14	BACK GRILL		1
15	THERMOSTAT INSTALLATION BOARD		1
16	THERMOSTAT	17505180005	1
17	STAND OFF BRACKET		2
18	COMPRESSOR UNIT TRACK		2
19	INNER DRAIN PAN		1
20	EVAPORATOR COVER STICKER		2
21	EVAPORATOR COVER STICKER		2
22	COMPRESSOR UNIT INSTALLATION BOARD		1
23	CONDENSER	17303080201	1
24	CONDENSER FAN MOTOR	22752520003	1
25	BLADE OF CONDENSER FAN MOTOR	16381738052	1
26	CONDENSER FAN COVER	22726010001	1
27	FILTER FIXER	16369690257	1
28	FILTER	17111250198	1
29	OUTER DRAIN PAN	16316130005	1
30	COMPRESSOR	17202163113	1
31	SPLICE BOX		1
32	START CAPACITOR		1
33	OVERLOAD PROTECTOR		1
34	STARTER		1
35	EVAPORATOR COVER		1
36	K STRIP-3 HOLES		2
37	K STRIP-2 HOLES		2
38	K CLIP		4
39	SHELF	12502114555	1
40	EVAPORATOR	17405050403	1
41	FAN MOTOR INSTALLATION BOARD		1

42	EVAPORATOR FAN MOTOR	1003001114715	1
43	FOAMING HOLE COVER	16352020002	2
44	DRAIN HOSE	15809080016	1
45	POWER CORD	17664640051	1
46	TEMPERATURE SENSOR OF CABINET INSIDE	17649490013	1
47	THERMOMETER	17799990002	1
48	CONDENSER_END_PLATE_LEFT		1
49	CONDENSER_END_PLATE_RIGHT		1